



BALLARAT GOLD
SWIMMING CLUB

Takes pleasure in presenting the

2024 Ballarat Gold Short Course Meet

A proposed qualifying meet to be held on Sunday 2nd June 2024



BALLARAT GOLD
SWIMMING CLUB



coles

Ballarat Central

**2024 Ballarat Gold
Short Course Meet**

Ballarat Aquatic & Lifestyle Centre

The complex block is a promotional graphic for the 2024 Ballarat Gold Short Course Meet. It features a circular inset on the left showing a swimmer in a yellow cap and goggles in a pool. To the right, the Ballarat Gold Swimming Club logo is displayed above the Coles logo, which is a red rectangle with the word 'coles' in white. Below the Coles logo, the text 'Ballarat Central' is written in red. The main title '2024 Ballarat Gold Short Course Meet' is in large, bold, blue font, and the venue 'Ballarat Aquatic & Lifestyle Centre' is at the bottom in blue font. The entire graphic is enclosed in a blue border.

Ballarat Gold acknowledges the support of the following sponsors and partner organisations



Ballarat Central



Mark Stahl
Swim School



swimmerch

are-able

Thank you for your continued Support



Welcome

The Members and Committee of Ballarat Gold Swimming Club welcome all competitors to Ballarat for our club's 2024 Ballarat Gold Short Course Meet. We wish everyone an enjoyable day at the Ballarat Aquatic and Lifestyle Centre and hope that you all achieve the goals that you have set for today.

We would like to thank our Technical Officials and other Volunteers who have provided their time today to allow us to run a Qualifying Meet. Additionally, thanks to our timekeepers, without whom we would not be able to run the meet.

Ballarat Gold appreciates the support that the following clubs and their members have shown for this meet.

Ballarat GCO Swimming Club
Ballarat Gold Swimming Club
Ballarat Swimming Club
Bendigo East Swimming Club
Bendigo Hawks Aquatic
Blue Lake Y
Camberwell Grammar Aquatic
Colac Swimming Club
Essendon District Aquatic
Firbank Aquastars
Geelong Sharks Swimming Club
Geelong Swimming Club
Gisborne Thunder Swimming Club
Hamilton Olympic Swimming Club
Horsham Swimming Club
Hume City Swimming Club
Ivanhoe Aqua Power Swimming Club
Kangaroo Flat
Laverton Wyndham Aquatics
Melbourne Swimming Club
Melton Swimming Club
Nunawading Swimming Club
Ringwood Swimming Club
Sandy Bay Swimming Club
Seymour & District Amateur Swimming Club
St Leonard's College Swimming Club
Surf Coast Swimming Club
Warrnambool Swimming Club
Yarra Plenty Waves

The 2024 Ballarat Gold Short Course Meet is being held on the lands of the Wadawurrung people and Ballarat Gold Swimming Club wishes to acknowledge them as Traditional Owners. We would also like to pay our respects to their Elders, past and present, and to Aboriginal Elders of other communities who may be here today.

EVENT PARTNERS



Ashlee Grace

We're Popping Up @

BALLARAT GOLD SWIM MEET

Sunday, June 2nd



TECH SUITS
SWIMWEAR
ACCESSORIES



PRE ORDER for PICK UP on the day
USE CODE: **POP UP PRE ORDER**



BALLARAT GOLD SWIMMING CLUB

coles

Ballarat Central


SAUSAGE SIZZLE

BALLARAT AQUATIC CENTRE



coles

Ballarat Central

EVENT
SPONSOR



BALLARAT GOLD SWIMMING CLUB

Presents

2024 Ballarat Gold Short Course Meet

A proposed short course qualifying meet.

Sunday 2nd June 2024 at

Ballarat Aquatic and Lifestyle Centre, Gillies St North, Ballarat

Doors open 9.00am, warm up 9.15 am, start 10.00am
Entry is via double doors at the North end of the competition pool

Program of events

Event #		SESSION 1	Event #		SESSION 2
Female	Male	Event	Female	Male	Event
1		Mixed Open 400m Freestyle*	15	16	Open 100m Backstroke
2		Mixed Open 400m IM*	17	18	Open 200m Freestyle
3	4	Open 50m Back	19	20	Open 50m Breaststroke
5	6	Open 100m Free	21	22	Open 100m IM
7		Mixed Open 200m Backstroke	23		Mixed Open 200m Butterfly
8	9	Open 50m Butterfly	24	25	Open 50m Freestyle
10	11	Open 100m Breaststroke	26		Mixed Open 200m Breaststroke
12	13	Open 200m IM	27	28	Open 100m Butterfly
14		Mixed Open 4 x 50m Medley Relay	29		Mixed Open 4 x 50m Free Relay
BREAK			AGE GROUP MEDAL PRESENTATION		

*Events 1/2 may be combined. Limit of 3 combined heats, open to the first 24 swimmers to enter.
Only enter EITHER Event 1 OR Event 2, do NOT enter both.

All enquiries to Jo Peters, entries@ballaratgold.org.au , 0438 823 965

Conditions of Entry

Entries:

Meet open to SAL registered swimmers only.

Age of competitors is as at date of meet.

[ONLINE entries via Swim Central.](#)

\$12 per event (includes Swimming Victoria levy)

Entry Fees will not be refunded for any reason.

Closing date Sunday 26th May at 6pm.

The Meet Director reserves the right to cancel/ merge events or alter the program as required.

Ballarat Gold Swimming Club reserves the right to close online entries early to accommodate time constraints.

*Events 1/2 maybe combined. Limit of 3 combined heats, open to the first 24 swimmers to enter. Only enter EITHER Event 1 OR Event 2, do NOT enter both.

Meet:

Meet to be conducted under the rules of Swimming Australia and Swimming Victoria.

One start rule applies.

The SV [11 & Under swim suit rule](#) will apply to this meet.

Backstroke ledges will be available for use at this Meet.

The Referees decisions will be final.

All events are timed finals with points awarded to the top 8 swimmers in the following age categories: 9 & U, 10/11, 12/13, 14/15, 16/17 and 18 & O for both male and female swimmers.

Medals for 1st, 2nd & 3rd aggregate in each age group presented at the conclusion of the meet.

Ribbons for individual Events.

Relays:

Mixed relay – minimum 1 girl/team.

Relay entry via Swim Central.

Alternatively, email relay entry details to entries@ballaratgold.org.au

Relay entries are \$16 per team. No restrictions on the number of teams entered

Relay payments - Direct deposit to Ballarat Gold SC Inc. BSB 633-000, Account No.1083-32453 using "SCR relay club name" as a reference. Please forward remittance advice to

entries@ballaratgold.org.au

General:

Program, timeline and athlete roster available no later than two days prior to competition from Swim Central and [Ballarat Gold Website](#)

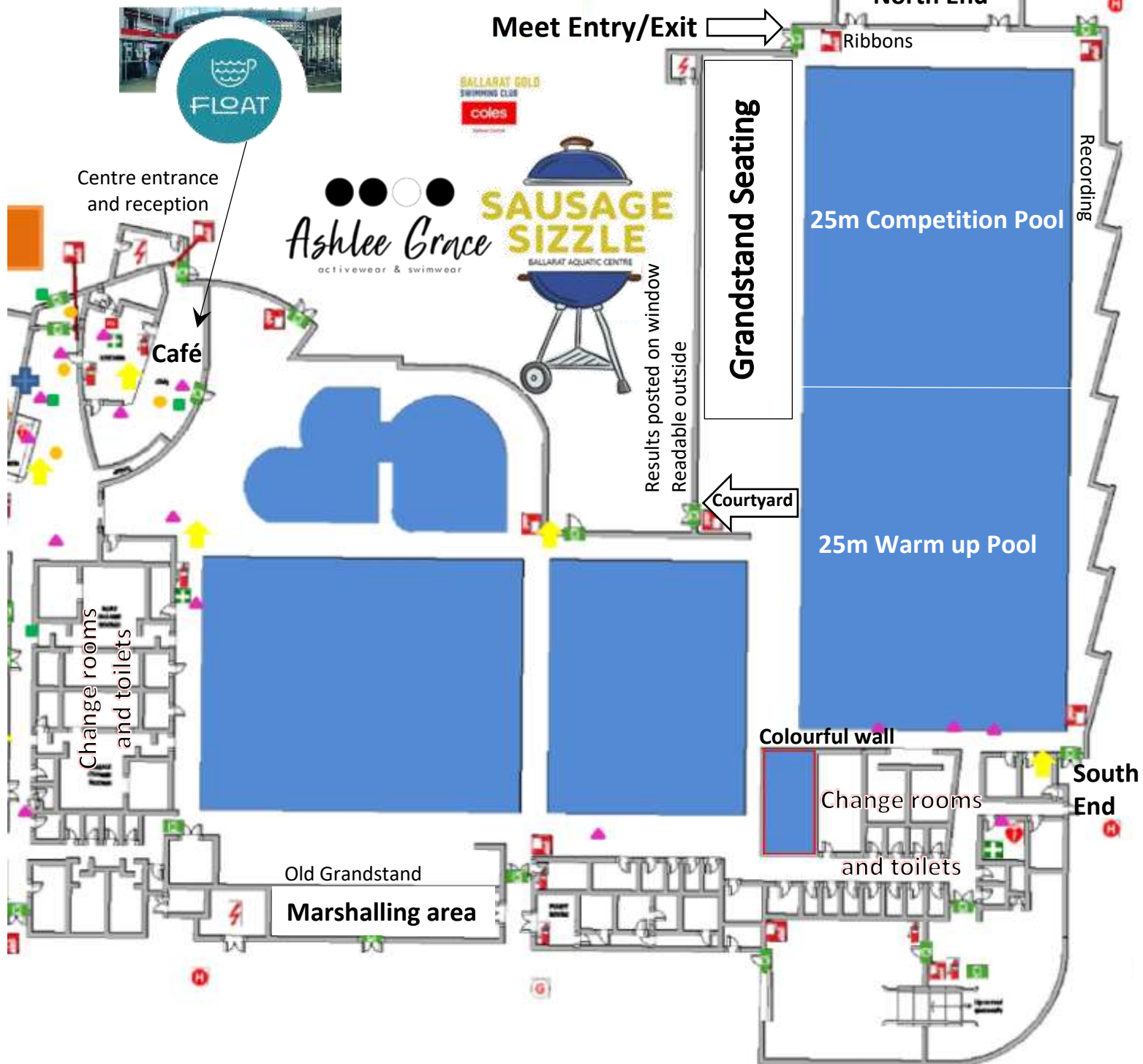
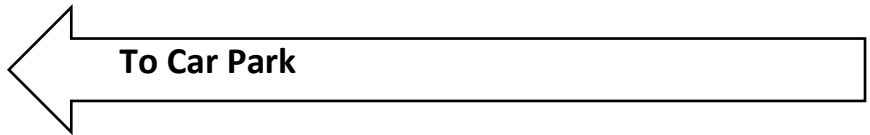
Free spectator entry. Grandstand seating available.

Pop-up shops in Courtyard: Ballarat Gold BBQ & 2nd Hand shop

By entering this Meet, competitors agree to adhere to the Terms & Conditions listed in this Flyer.

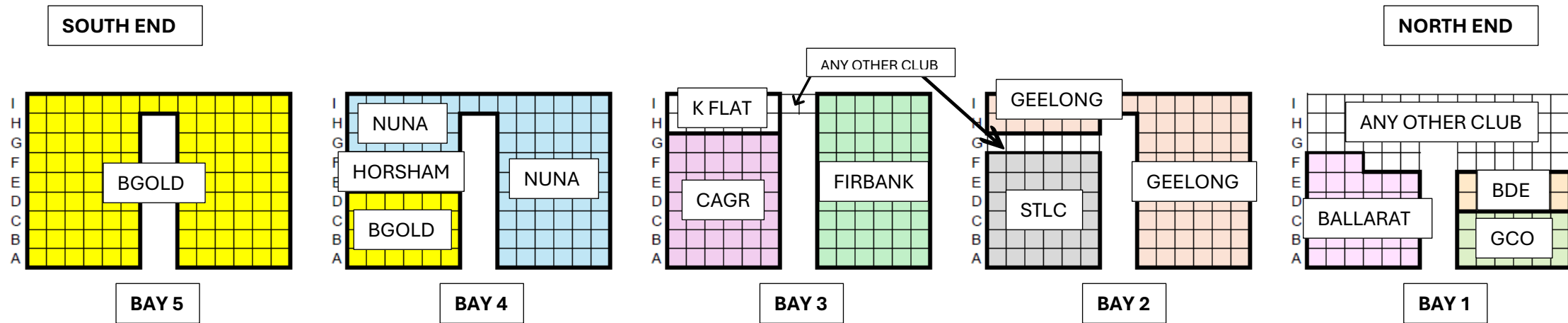


Prince of Wales Recreation Reserve
Gillies St N,
Lake Gardens
VIC 3350





Seating Plan



Coaches Seating – Coaches have priority access to the first row of seats in the Grandstand. If you choose to sit in this row, please move if requested to do so by a coach.

POOL

Due to the large number of entries, we have implemented a seating plan. Please be courteous and help keep our Meet harmonious when selecting your seat.



2024 Ballarat Gold SC Meet Club Timekeeper Lane Allocation

The smooth running of this Meet is reliant on Volunteer Timekeepers. Your assistance in this matter is greatly appreciated. Please can all clubs listed below ensure that, unless otherwise specified, they have supplied **TWO** timekeepers to the correct lane at an appropriate time to cover the relevant Events.

Timekeepers should be ready to take their seats immediately prior to the conclusion of warm up for the first session. Timekeepers should take their seats 5 minutes prior to the commencement of the second session after the morning break. Please listen carefully for the starting time of the second session since this could be subject to change on the day of the meet. Timekeepers should bring their own water bottle and snacks as required. All Timekeepers should record their name, club and time period they were on duty in the Timekeeper log for their lane (in the clipboard).

Please note that all times listed are subject to change on the day – please be aware of what Event is in the water in relation to your Timekeeping shift.

Please see our Chief Timekeeper, Belinda if there are any issues on the day of the Meet.

LANE	1	2	3	4	5	6	7	8	Expected time
Ev1-5	GEE/BGOLD	GEE	BLRT/GCO	BGOLD	BGOLD/HOR	BGOLD/HOR	Other*	St Leonards	Start 10:00 AM
Ev6-10	GEE/BGOLD	GEE	BLRT/GCO	BGOLD	BGOLD/HOR	BGOLD/HOR	Other*	St Leonards	11:10 AM
Ev11-14	GEE/BGOLD	GEE	BLRT	BGOLD	BGOLD	BGOLD	Other*	St Leonards	12:11 PM
BREAK (1:05 – 1:30pm)									
Ev15-18	GEE	GEE	BLRT	BGOLD	BGOLD	BGOLD	Other*	St Leonards	1:30 PM
Ev19-23	GEE	GEE	BLRT	BGOLD	BGOLD	BGOLD	Other*	St Leonards	2:26 PM
Ev24-29	BGOLD	BGOLD	BLRT/GCO	BGOLD	BGOLD	BGOLD	BGOLD	BGOLD	3:27 PM
									Finish 4:45PM

*Timekeepers from other clubs have been organised individually by email. Please be aware of when you are supposed to be timekeeping.

Please listen for announcements calling for timekeepers at the Meet – please step up if you hear an announcement calling for additional timekeepers, even if you aren't rostered for a shift.

THANK YOU



Timing Equipment Operation Instructions for Timekeepers

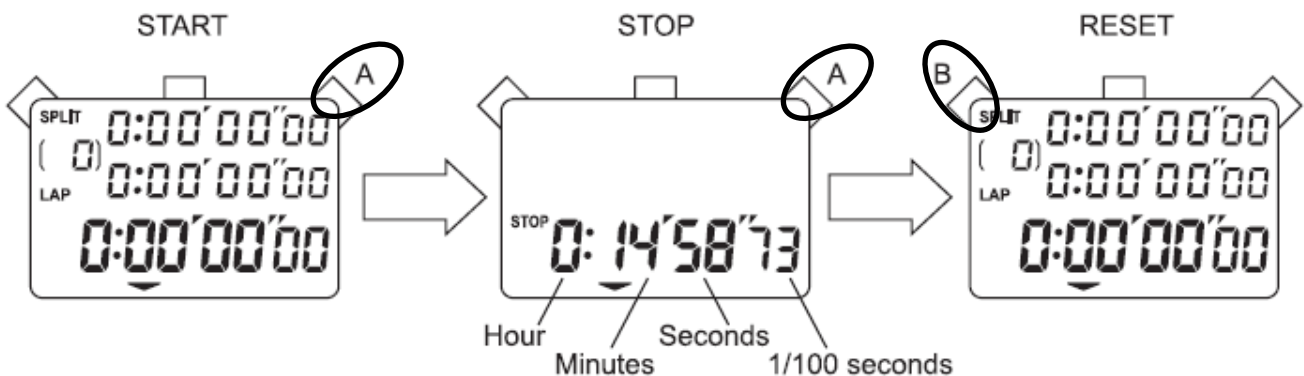
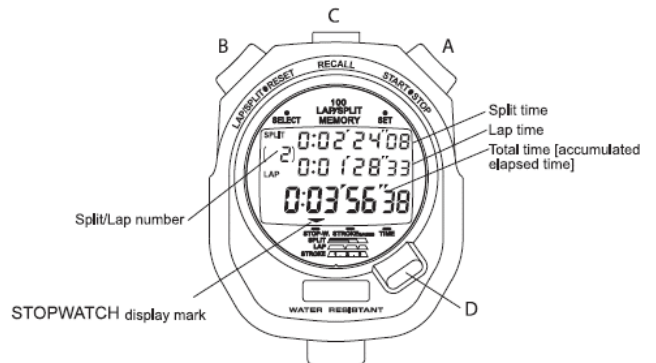
Automatic Timing Equipment

The Start is automatic with the Starters signal. Timekeepers are required to press the black button on the red handpiece when any part of the swimmer in their lane touches the wall on the final lap.



Manual Stopwatch

1. Ensure that the watch is reset and displaying zero prior to the start of the race.
2. Press the Start/Stop button (A) on the Starters signal (watch for the light on top of the Starting unit).
3. Press the Start/Stop button (A) at the End of the race. Please record this time on the Meet Program in the black clipboard
4. Press the Reset button (B) in preparation for the next race.





2024 Ballarat Gold Short Course Meet

Warm-up Procedure

Pool deck access will be from 9am

Warm up from 9:15 – 9:45am in both pools.

The competition pool will be cleared at 9:45am, ready for racing to start at 10am.

The second 25m pool will be available throughout the meet for swimmers to warm up and cool down.

The competition pool will be available for warmup during the break between sessions. It will be cleared 10 minutes prior to the start of the next session.

Swimmers are asked to please comply with any requests to clear the pool.

All coaches and swimmers should be aware of the general warm up procedures for meets.

- Initial warm up with no dive entries, feet first entry into water.
- Swimmers must swim in a clockwise direction.
- Starts are to be conducted in lanes 1 and 8 (under coaches' supervision) for the last 10 minutes of warmup in the competition pool. These are to be treated as walk back lanes.
- The request to clear the competition pool must be obeyed immediately.



2024 Ballarat Gold Short Course Meet

Swimmer Check-In & Marshalling Procedure

A formal Marshalling process will be in operation. All swimmers should Marshall in the Old Grandstand next to the 25m pool (see venue map)

Please listen for announcements and keep an eye on the Marshalling board to know when to go to the Marshalling Area. The Meet program will be displayed on the wall of the Old Grandstand or swimmers can ask the Marshalling assistants for help.

To assist with marshalling, we recommend swimmers arrive at the event prepared with the following information that they will need for marshalling:

- Event number/s
- Heat number/s
- Lane number/s

It is a good idea for swimmers to write all event/heat/lane numbers on their arm, in that order.

Instructions for 400m Events

There is a "Wait List" for the 400m events. This will be emailed to swimmers who have entered a 400m event. Any 400m swimmer who has been seeded to swim and who is now not intending to compete, should advise the recording desk ASAP, either by [email](#) prior to the Meet or by reporting to the Recording area on the day of the Meet. The next swimmer on the 'Wait List' will be invited to swim in the event.

400m Events Sign in – if you are seeded to swim in a 400m Event, please ensure that you check your name off on the sign-in sheet that will be available at the Meet Entrance.

If you are on the 400m Wait List and wish to swim (if a place becomes available) please ensure that you are at the Marshalling area when Events 1 and 2 are Marshalled.

The 400m IM will be combined with the 400m Freestyle. Some swimmers may find themselves in an unexpected heat. Please check the program and double check at Marshalling.

11 & UNDER TECHNICAL/PERFORMANCE SUIT POLICY



Swimming Victoria, alongside Swimming Australia, is committed to creating a welcoming and inclusive swimming environment for all competitive members. In 2021, Swimming Australia introduced an [Inclusive Swimming Policy](#) with the aim to ensure:

- All Australians feel welcome safe, valued, and celebrated in swimming.
- All Australians can participate in the role and at the level of their choice in swimming.
- Australia's diversity is reflected in swimming.

Swimming Victoria have adopted this framework for all competitions run under the Swimming Victoria rules.

In addition to this framework, the Swimming Victoria Competitions & Events By-Law states that:

'Competitors 11 years and under are not permitted (or allowed) to wear a technical/performance suit in SV hosted competitions'.

This also extends to all competitions run under the Swimming Victoria rules.

Swimming Victoria believe that in order to keep young swimmers in our sport, we need to be providing an environment that encourages them and keeps the level of competition and pressure appropriate for their age. Further rationale for this policy is outlined below.

What is a Technical/Performance Suit?

Technical/Performance racing suits are typically manufactured using scientifically advanced materials. Materials of this type are normally comprised of spandex and nylon composite fabrics with features to reduce 'drag' against the water, reduce absorption of water and are highly compressive to increase the athlete's glide through the water.

The design of these suits also typically includes features like special seams and tape to optimise performance. Traditional one-piece race suits for girls as well as briefs and trunks for boys are not technical/performance suits and are permitted under this policy. Knee length suits and 'jammers' (suits that end closer to the knee than the hip) will be permitted provided they do not feature the key components of a technical/performance swimsuit.

The key, easily- identifiable component/s of a technical/performance suit that should be used when differentiating what is, and is not, permitted are the following:

- Bonded/Sealed seams
- Meshed seams
- Kinetic tape.

The below photographs are examples of swimsuit seaming which is **not permitted** for swimmers aged 11 and under.



The below images are examples of swimwear which **are permitted** for athletes aged 11 and under, noting the stitching is raised on the outside of the fabric.



It should be noted that some permitted swimwear is FINA approved and will have a FINA barcode attached to the back of the suit. FINA approved swimwear can be worn permitted it is not classed as a technical/performance suit. The differentiation between these suits is the fabric and stitching, as described above.

The rationale behind this decision by Swimming Victoria is outlined below.

1. There is no documented evidence that supports any benefits of performance/technical suits for athletes 11 years and under.
2. Personal best times should not be the only evaluation or measure of success for younger swimmers. Technique and skill development is essential for long-term swimmer development. It is crucial that as swimmers progress through the sport, they have developed a strong foundation in technique and stroke development to enable them to achieve higher results in the latter years of their career.
3. The cost of technical suits makes them unattainable for many families. Swimming Victoria does not want to add any extra financial pressure on parents with unnecessary purchases. We understand that for various reasons, cost of suits may not be an issue for all swimmers however, in order to effectively police this change, we must restrict all suits of this style.
4. These suits aren't designed for young swimmers. The manufacturers design these suits for older athletes. One of the main benefits of wearing a technical suit is for muscle compression. Swimmers, who are not yet developed, are not impacted by this benefit. Swimmers cannot 'grow into' these suits.
5. A common misconception amongst younger swimmers is that without a technical suit, a swimmer cannot swim fast. An age group swimmer does not need a performance suit to swim fast. Swimmers will improve and attain personal bests regardless of the suit they are wearing due to gradual increases in training and skill development.
6. The aim should be to build mentally strong swimmers, confident in their own ability and training ethic rather than an athlete depending on a technical suit to get an improved result.

For more information on Swimming Australia's Inclusive Swimming Framework and the swimsuits permitted under the Inclusive Swimwear Policy, please [click here](#).

BACKSTROKE START LEDGES

Backstroke ledges will be installed and available to all swimmers.

Their use is optional at the discretion of each swimmer.

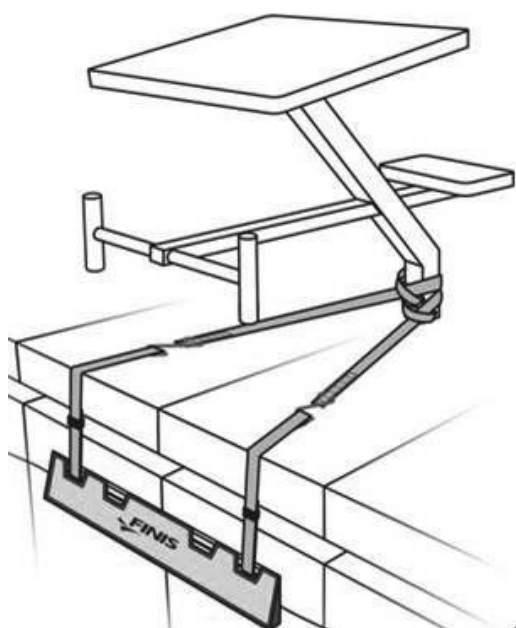
Technical officials (or timekeepers) will place the ledge in the water. This should not be undertaken by swimmers.

Swimmers may adjust the ledge once it is in the water using the hook on each strap.

When using a backstroke ledge at the start, the toes of both feet must be in contact with the face of the touchpad.

Once the race has started the ledge will be removed from the water and placed under the block.

If a swimmer does not wish to use the ledge, they should ask the official (or timekeeper) to remove the ledge from the water prior to the start of the race.



2024 Ballarat Gold Short Course Meet - 2/06/2024
Session Report

Session: 1 Morning Session
 Day of Meet: 1 Starts at 10:00 AM Heat Interval: 30 Seconds / Back +40 Seconds

Round	Event	Starts at
Finals	1 Mixed 400 Free	10:00 AM
Finals	2 Mixed 400 IM	10:12 AM
Finals	3 Girls 50 Back	10:19 AM
Finals	4 Boys 50 Back	10:37 AM
Finals	5 Girls 100 Free	10:51 AM
Finals	6 Boys 100 Free	11:09 AM
Finals	7 Mixed 200 Back	11:26 AM
Finals	8 Girls 50 Fly	11:38 AM
Finals	9 Boys 50 Fly	11:47 AM
Finals	10 Girls 100 Breast	11:55 AM
Finals	11 Boys 100 Breast	12:10 PM
Finals	12 Girls 200 IM	12:23 PM
Finals	13 Boys 200 IM	12:34 PM
Finals	14 Mixed 200 Medley Relay	12:46 PM
	Swimmers Counts for Warm-ups: 277	
	Finish Time	01:04 PM

Session and break times are a guide and are subject to change. Please keep an eye on the Marshalling board and listen for announcements.

The first heat of 'Event 2 - 400m IM' may also have 400m Freestyle swimmers competing.

NB Ev. 6, 7, 22, 25 and 26 have been seeded 'Fast to Slow' to optimise recovery time for all swimmers.

The remaining events have the slowest heats first.

RAD



Getting back to your best:

You'll need the right **rehab team** around you to help combat those sporting niggles, small or serious, or just general health and well being.

At RAD, we plan and support you from injury to full recovery.

Our rehab team will help you through:

Injury assessment and diagnosis

Implementing and navigating a successful rehab program

Get you back to what you love doing

STRENGTH & CONDITIONING - PHYSIOTHERAPY - INJURY REHABILITATION - DIETETICS



INFO@RADCENTRE.COM.AU
0428 109 400



2024 Ballarat Gold Short Course Meet - 2/06/2024
Meet Program - Morning Session
Event 1 Mixed 400 SC Meter Free

Event Lane	Name	Age	Team	Seed Time	Finals	Place
Heat 1 of 2 Timed Finals						
1	Sophia Griffith	W14	Firbank Aquastars	NTL	_____	_____
2	Oliver Hall	M14	Nunawading Swimming Club Inc	5:44.52L	_____	_____
3	Jeongmin Abrielle Won	W14	Nunawading Swimming Club Inc	5:20.16	_____	_____
4	Leona Loh-Hermans	W13	Nunawading Swimming Club Inc	5:10.28L	_____	_____
5	Joel Murdoch	M14	Nunawading Swimming Club Inc	5:16.45L	_____	_____
6	Chase Briggs	M16	Horsham Swimming Club Inc	5:35.67	_____	_____
7	Phoebe Scarff	W13	Firbank Aquastars	5:44.87	_____	_____
8	Aurelia Wallace	W13	Firbank Aquastars	NTL	_____	_____
Heat 2 of 2 Timed Finals						
1	Kayla Sautner	W16	Nunawading Swimming Club Inc	4:58.26	_____	_____
2	Amelie Crellin	W16	Nunawading Swimming Club Inc	4:57.52	_____	_____
3	Madison Brown	W14	Nunawading Swimming Club Inc	4:48.06	_____	_____
4	Bryan Wong	M16	Nunawading Swimming Club Inc	4:31.76	_____	_____
5	Emily Doyle	W16	Nunawading Swimming Club Inc	4:47.42	_____	_____
6	Ella Irvine	W15	Nunawading Swimming Club Inc	4:49.62	_____	_____
7	Olivia To	W14	Nunawading Swimming Club Inc	4:57.56	_____	_____
8	Sophie Petric	W15	Nunawading Swimming Club Inc	5:00.52	_____	_____

Event 2 Mixed 400 SC Meter IM

Event Lane	Name	Age	Team	Seed Time	Finals	Place
Heat 1 of 1 Timed Finals						
400m FREE 1	Rania Ramsay	W13	Firbank Aquastars	NT	_____	_____
400m IM 2	Ji Xuan Song	M14	Nunawading Swimming Club Inc	5:30.03	_____	_____
400m IM 3	William Lewis	M16	Nunawading Swimming Club Inc	5:09.25	_____	_____
400m IM 4	Tom Urquhart	M16	Ballarat Gold Swimming Club In	4:52.61	_____	_____
400m IM 5	Thomas Neylan	M15	Nunawading Swimming Club Inc	5:01.65	_____	_____
400m IM 6	Amelie Theophanous-Maddison	W14	Nunawading Swimming Club Inc	5:28.85	_____	_____
400m IM 7	Ryan Martin	M14	Nunawading Swimming Club Inc	5:36.80L	_____	_____
400m IM 8	Ruby Morgan	W13	Firbank Aquastars	6:44.61L	_____	_____

Event 3 Girls 50 SC Meter Back

Event Lane	Name	Age	Team	Seed Time	Finals	Place
Heat 1 of 9 Timed Finals						
2	Imogen Wilkins	10	Geelong Swimming Club Incorpor	NTL	_____	_____
3	Isabella Scullion	10	Ballarat Gold Swimming Club In	NTL	_____	_____
4	Zarah Hassan	11	Ballarat Gold Swimming Club In	NTL	_____	_____
5	Evie Spolding	10	Geelong Swimming Club Incorpor	NTL	_____	_____
6	Edwina Eltringham	10	Geelong Swimming Club Incorpor	NTL	_____	_____
7	Sasha Shukla	8	Ballarat Gold Swimming Club In	NTL	_____	_____
Heat 2 of 9 Timed Finals						
1	Iesha Laxton	12	Ballarat Gold Swimming Club In	NTL	_____	_____
2	Olivia Lu	13	Firbank Aquastars	NTL	_____	_____
3	Camila Gonzalez-Zhu	9	Ballarat Gold Swimming Club In	1:00.23	_____	_____
4	Lindi Greeff	8	Ballarat Swimming Club Inc	57.72L	_____	_____
5	Aria O'Meara	10	Geelong Swimming Club Incorpor	57.20	_____	_____
6	Martha Grace	9	Geelong Swimming Club Incorpor	1:01.39	_____	_____
7	Saasha Dahiya	13	Ballarat Gold Swimming Club In	NTL	_____	_____
8	Matilda Thomas	12	Geelong Swimming Club Incorpor	NTL	_____	_____

2024 Ballarat Gold Short Course Meet - 2/06/2024
Meet Program - Morning Session

Heat	3	Timed Finals...	(Event	3	Girls 50 SC Meter Back)			
	1	Amelia Thomson		9	Ballarat Swimming Club Inc	52.63	_____	_____
	2	Isabella Juric		9	Kangaroo Flat	51.41	_____	_____
	3	Ariana Edwards		10	Ballarat Gold Swimming Club In	51.87L	_____	_____
	4	Isabel Meneses Lopez		10	Ballarat Gold Swimming Club In	51.51L	_____	_____
	5	Poppy Ann Shepherd		12	Ballarat Gold Swimming Club In	50.68	_____	_____
	6	Madeline Barnes		11	Geelong Swimming Club Incorpor	52.34L	_____	_____
	7	Charlotte Whitehouse		12	Firbank Aquastars	51.94	_____	_____
	8	Abigail Tickell		9	Ballarat Gold Swimming Club In	56.96L	_____	_____
Heat	4 of 9	Timed Finals						
	1	Claire Baker		11	Ballarat Gco Swimming Club Inc	50.23	_____	_____
	2	Iris Grace		11	Geelong Swimming Club Incorpor	48.56	_____	_____
	3	Bonnie Naylor		13	Ballarat Gco Swimming Club Inc	48.00	_____	_____
	4	Lily Jovceski		8	Essendon District Aquatic	47.63	_____	_____
	5	Shae O'Callaghan		11	Ballarat Gold Swimming Club In	47.74	_____	_____
	6	Elizabeth Walter		12	Firbank Aquastars	48.17	_____	_____
	7	Ondine Smith		12	Hamilton Olympic Swimming Club	49.15	_____	_____
	8	Isabella Till		16	Ballarat Gco Swimming Club Inc	50.34	_____	_____
Heat	5 of 9	Timed Finals						
	1	Lois Scruby		11	Ballarat Gold Swimming Club In	45.91	_____	_____
	2	Amelia Alford		15	Melton Swimming Club Inc	46.47L	_____	_____
	3	Milly Jelbart		11	Camberwell Grammar Aquatic	46.06L	_____	_____
	4	Amber McCreddan		18	Hamilton Olympic Swimming Club	44.69	_____	_____
	5	Penelope Roberts		11	Kangaroo Flat	44.93	_____	_____
	6	Ruby Cookson		12	Ballarat Swimming Club Inc	45.34	_____	_____
	7	Raya Noakes		10	St Leonard's College Swimming	46.73L	_____	_____
	8	Holly Preston		14	Ballarat Gco Swimming Club Inc	47.45	_____	_____
Heat	6 of 9	Timed Finals						
	1	Penny Rampton		10	Ballarat Swimming Club Inc	44.34	_____	_____
	2	Isabelle Thornborrow		11	Firbank Aquastars	44.07	_____	_____
	3	Poppy White		13	Horsham Swimming Club Inc	43.87	_____	_____
	4	Mila Abley		12	Bendigo East Swimming Club	43.50	_____	_____
	5	Junqing Cao		11	Ballarat Gold Swimming Club In	43.83	_____	_____
	6	Jamie de Borzatti		13	Nunawading Swimming Club Inc	43.96	_____	_____
	7	Michaela Maddams		12	St Leonard's College Swimming	44.11	_____	_____
	8	Camila Meneses Lopez		11	Ballarat Gold Swimming Club In	45.39L	_____	_____
Heat	7 of 9	Timed Finals						
	1	Georgie Kennett		9	Ballarat Gold Swimming Club In	43.00	_____	_____
	2	Amelia Wilson		12	Ballarat Gco Swimming Club Inc	42.72	_____	_____
	3	Jone Greeff		12	Ballarat Swimming Club Inc	41.98	_____	_____
	4	Sophie Lee		10	Kangaroo Flat	41.73	_____	_____
	5	Evie Lee		14	Geelong Swimming Club Incorpor	41.79	_____	_____
	6	Juliette Mason		14	Geelong Swimming Club Incorpor	42.56	_____	_____
	7	Sienna Seater		12	Ballarat Gold Swimming Club In	42.96	_____	_____
	8	Annabel Bartlett		11	Firbank Aquastars	43.44	_____	_____
Heat	8 of 9	Timed Finals						
	1	Zarah Gilmour		11	Geelong Swimming Club Incorpor	41.34	_____	_____
	2	Lauren Davenport		11	Bendigo East Swimming Club	39.55	_____	_____
	3	Grace Cofield		11	Ballarat Gold Swimming Club In	38.99	_____	_____
	4	Eden Chia		13	Camberwell Grammar Aquatic	38.56L	_____	_____
	5	Lily McCormack		11	Ballarat Gold Swimming Club In	38.86	_____	_____
	6	Yvette Hoyne		13	Firbank Aquastars	39.44	_____	_____
	7	Jordan Camfield		11	Geelong Swimming Club Incorpor	39.58	_____	_____
	8	Penny Conway		12	Ballarat Gold Swimming Club In	42.25L	_____	_____

2024 Ballarat Gold Short Course Meet - 2/06/2024
Meet Program - Morning Session

Heat	9	Timed Finals...	(Event	3	Girls 50 SC Meter Back)				
1	Angela Harnden		15	St Leonard's College Swimming	36.40				
2	Keira Stubbings		11	Camberwell Grammar Aquatic	35.86				
3	Skye Weddell		16	Firbank Aquastars	35.76L				
4	Isla Ho		16	Ballarat Gold Swimming Club In	31.39				
5	Karma Fahmy		14	Nunawading Swimming Club Inc	34.17				
6	Eve Pahos		14	Camberwell Grammar Aquatic	35.46				
7	Keila Enters		14	Nunawading Swimming Club Inc	36.38				
8	Taylah Costello		12	Ballarat Gold Swimming Club In	36.66				
Event	4	Boys 50 SC Meter Back							
Lane	Name		Age	Team	Seed Time		Finals		Place
Heat	1 of 7	Timed Finals							
3	Samar Budhiraja		8	Hume City Swimming Club Inc	NTL				
4	Phoenix Aldersley		11	Geelong Swimming Club Incorpor	NTL				
5	Albert Pan		9	Ballarat Gold Swimming Club In	NTL				
Heat	2 of 7	Timed Finals							
1	Sidney Bartlett		14	Firbank Aquastars	NT				
2	Alexander Lee		8	Kangaroo Flat	56.09L				
3	Oliver Young		9	Geelong Swimming Club Incorpor	53.21				
4	William Thompson		9	Melton Swimming Club Inc	51.69				
5	Logan Brundell		11	Ballarat Gco Swimming Club Inc	51.97				
6	Rrig Sharma		11	Melbourne Swimming Club	53.38				
7	Sonny Finn Shepherd		10	Ballarat Gold Swimming Club In	55.99				
Heat	3 of 7	Timed Finals							
1	Cohan Morgan		9	Ballarat Gold Swimming Club In	52.21L				
2	Charlie Tickell		12	Ballarat Gold Swimming Club In	49.56				
3	Edward Valentan		11	Ballarat Swimming Club Inc	48.51				
4	Fletcher Stanley		9	Geelong Swimming Club Incorpor	49.11L				
5	Joel Thomson		11	Ballarat Swimming Club Inc	48.47				
6	Ethan Hill		9	Geelong Swimming Club Incorpor	50.50L				
7	James Davenport		10	Bendigo East Swimming Club	50.23				
8	Lachlan Mifsud		12	Warrnambool Swimming Club	51.33				
Heat	4 of 7	Timed Finals							
1	Shengmin Han		9	Geelong Swimming Club Incorpor	47.45				
2	Matthew Rieniets		10	Ballarat Swimming Club Inc	47.87L				
3	Flynn Dodson		12	Horsham Swimming Club Inc	45.52				
4	Darby Blackwell		10	Seymour & District Amateur Swi	44.66				
5	Jack Lomax		11	Seymour & District Amateur Swi	45.00				
6	Miles Ma Sing		11	St Leonard's College Swimming	46.01				
7	Matthew Swanton		12	Ballarat Gold Swimming Club In	46.96				
8	Reuben Greeff		10	Ballarat Swimming Club Inc	48.05				
Heat	5 of 7	Timed Finals							
1	Henry Beechey		13	Ballarat Gold Swimming Club In	44.26				
2	Cooper Dodson		14	Horsham Swimming Club Inc	42.87				
3	Ethan Bruce		13	Ballarat Gold Swimming Club In	43.03L				
4	Andy Zhou		10	St Leonard's College Swimming	41.78				
5	Riley O'Callaghan		15	Ballarat Gold Swimming Club In	42.15				
6	Aaron Skinner		32	Geelong Sharks Swimming Club	42.20				
7	Joseph Scruby		9	Ballarat Gold Swimming Club In	43.36				
8	Eoin Whelan		10	Camberwell Grammar Aquatic	45.18L				

2024 Ballarat Gold Short Course Meet - 2/06/2024
Meet Program - Morning Session

Heat	Lane	Name	Age	Team	Seed Time	Finals	Place
Heat 6 Timed Finals... (Event 4 Boys 50 SC Meter Back)							
1		Adam Conway	13	Ballarat Gold Swimming Club In	42.19L	_____	_____
2		Eric Zhou	14	St Leonard's College Swimming	40.21	_____	_____
3		Mason Firth	13	Ballarat Gold Swimming Club In	37.75	_____	_____
4		Chase Briggs	16	Horsham Swimming Club Inc	34.67	_____	_____
5		William Staggard	11	Sandy Bay Swimming Club	36.97	_____	_____
6		Bryce Scott	12	Ballarat Gold Swimming Club In	37.91	_____	_____
7		Daniel Walter	13	Firbank Aquastars	40.23	_____	_____
8		Thomas Bruce	13	Ballarat Gold Swimming Club In	42.24L	_____	_____
Heat 7 of 7 Timed Finals							
1		Sebastian Smith	18	Horsham Swimming Club Inc	32.20	_____	_____
2		Bryan Wong	16	Nunawading Swimming Club Inc	32.08	_____	_____
3		Alexander MacRae	18	Camberwell Grammar Aquatic	29.96	_____	_____
4		Tharwin Prarom	15	Nunawading Swimming Club Inc	27.41	_____	_____
5		Cooper Sutherland	18	Ballarat Gold Swimming Club In	28.62	_____	_____
6		Thomas Costello	15	Ballarat Gold Swimming Club In	30.72	_____	_____
7		Harry Luo	15	Nunawading Swimming Club Inc	32.10	_____	_____
8		Kevin Huang	16	Ballarat Gold Swimming Club In	33.74	_____	_____
Event 5 Girls 100 SC Meter Free							
Heat	Lane	Name	Age	Team	Seed Time	Finals	Place
Heat 1 of 10 Timed Finals							
1		Sasha Shukla	8	Ballarat Gold Swimming Club In	NTL	_____	_____
2		Milly Jelbart	11	Camberwell Grammar Aquatic	NTL	_____	_____
3		Xiaohan Chen	12	Ballarat Swimming Club Inc	NTL	_____	_____
4		Adela Ren	9	Ivanhoe Aqua Power Swimming Cl	1:41.64L	_____	_____
5		Violet Bramley	12	Camberwell Grammar Aquatic	NTL	_____	_____
6		Matilda Thomas	12	Geelong Swimming Club Incorpor	NTL	_____	_____
7		Ariana Edwards	10	Ballarat Gold Swimming Club In	NTL	_____	_____
Heat 2 of 10 Timed Finals							
1		Poppy Ann Shepherd	12	Ballarat Gold Swimming Club In	1:39.43L	_____	_____
2		Raya Noakes	10	St Leonard's College Swimming	1:35.16	_____	_____
3		Mila Abley	12	Bendigo East Swimming Club	1:28.80	_____	_____
4		Camila Meneses Lopez	11	Ballarat Gold Swimming Club In	1:27.31	_____	_____
5		Mia Gray	14	Firbank Aquastars	1:28.15	_____	_____
6		Penny Rampton	10	Ballarat Swimming Club Inc	1:33.11	_____	_____
7		Bonnie Naylor	13	Ballarat Gco Swimming Club Inc	1:35.41	_____	_____
8		Charlotte Rieniets	10	Ballarat Swimming Club Inc	1:41.39L	_____	_____
Heat 3 of 10 Timed Finals							
1		Claire Baker	11	Ballarat Gco Swimming Club Inc	1:26.72	_____	_____
2		Abi Jelbart	13	Camberwell Grammar Aquatic	1:27.58L	_____	_____
3		Kiera Butterworth	13	Ballarat Gold Swimming Club In	1:24.82	_____	_____
4		Jordan Camfield	11	Geelong Swimming Club Incorpor	1:26.28L	_____	_____
5		Zoe Bruce	12	Geelong Swimming Club Incorpor	1:26.30L	_____	_____
6		Sienna Seater	12	Ballarat Gold Swimming Club In	1:25.73	_____	_____
7		Matilda Biberow	12	Melbourne Swimming Club	1:26.10	_____	_____
8		Amber McCreddan	18	Hamilton Olympic Swimming Club	1:26.99	_____	_____
Heat 4 of 10 Timed Finals							
1		Clara Powell	12	Ballarat Gold Swimming Club In	1:23.31	_____	_____
2		Ruby Cookson	12	Ballarat Swimming Club Inc	1:22.57	_____	_____
3		Jade Hayward	12	Kangaroo Flat	1:21.60	_____	_____
4		Michaela Maddams	12	St Leonard's College Swimming	1:21.57	_____	_____
5		Annabel Hanson	13	Firbank Aquastars	1:21.59	_____	_____
6		Olivia Lu	13	Firbank Aquastars	1:21.98	_____	_____
7		Annabel Bartlett	11	Firbank Aquastars	1:22.80	_____	_____
8		Ondine Smith	12	Hamilton Olympic Swimming Club	1:24.41	_____	_____

2024 Ballarat Gold Short Course Meet - 2/06/2024
Meet Program - Morning Session

Heat	5	Timed Finals...	(Event	5	Girls 100 SC Meter Free)			
1	Audrey Hanson		15	Firbank Aquastars	1:21.14			
2	Juliette Mason		14	Geelong Swimming Club Incorpor	1:17.33			
3	Lily McCormack		11	Ballarat Gold Swimming Club In	1:16.79			
4	Lois Scruby		11	Ballarat Gold Swimming Club In	1:14.86			
5	Natalia Muisen-Khoury		14	Geelong Sharks Swimming Club	1:16.09			
6	Liwen Niu		11	Geelong Swimming Club Incorpor	1:18.56L			
7	Ella Featherston		11	Ballarat Gold Swimming Club In	1:18.64			
8	Estelle Karstlake		12	Ballarat Gco Swimming Club Inc	1:23.07L			
Heat	6 of 10	Timed Finals						
1	Isabelle Thornborrow		11	Firbank Aquastars	1:14.58			
2	Charlotte McConvill		13	Bendigo Hawks Aquatic	1:13.15			
3	Guoran Huang		13	Camberwell Grammar Aquatic	1:12.42			
4	Lauren Davenport		11	Bendigo East Swimming Club	1:12.02			
5	Holly Preston		14	Ballarat Gco Swimming Club Inc	1:12.19			
6	Ava Neill		13	Melbourne Swimming Club	1:12.70			
7	Ella Weber		13	Firbank Aquastars	1:13.32			
8	Lexi Freestone		12	Yarra Plenty Waves	1:14.65			
Heat	7 of 10	Timed Finals						
1	Nina Sutherland		13	Ballarat Gold Swimming Club In	1:11.64			
2	Elle Cofield		15	Ballarat Gold Swimming Club In	1:10.91			
3	Ruth Whelan		12	Camberwell Grammar Aquatic	1:10.12			
4	Anna Leighton		24	Ballarat Gold Swimming Club In	1:09.82			
5	Scarlet Gilmour		13	Geelong Swimming Club Incorpor	1:10.05			
6	Matilda Noonan		14	Camberwell Grammar Aquatic	1:11.56L			
7	Georgie Vague		14	Geelong Swimming Club Incorpor	1:10.92			
8	Neve Harrison		12	Ballarat Gold Swimming Club In	1:11.72			
Heat	8 of 10	Timed Finals						
1	Emily Jellie		17	Hamilton Olympic Swimming Club	1:09.38			
2	Aurelia Wallace		13	Firbank Aquastars	1:08.74			
3	Ruby Morgan		13	Firbank Aquastars	1:07.96			
4	Weylen Truong		14	Nunawading Swimming Club Inc	1:06.14			
5	Phoebe Scarff		13	Firbank Aquastars	1:07.95			
6	Tess Kelly		16	Gisborne Thunder Swimming Club	1:08.74			
7	Isla Hasset		16	Geelong Swimming Club Incorpor	1:09.05			
8	Ellua Boyd		14	Horsham Swimming Club Inc	1:09.59			
Heat	9 of 10	Timed Finals						
1	Lucy Dolan		12	St Leonard's College Swimming	1:04.89			
2	Amelie Theophanous-Maddison		14	Nunawading Swimming Club Inc	1:03.97			
3	Skye Laube		17	Ballarat Gold Swimming Club In	1:03.83			
4	Ella Irvine		15	Nunawading Swimming Club Inc	1:03.53			
5	Jumanah Fahmy		12	Nunawading Swimming Club Inc	1:03.58			
6	Madison Brown		14	Nunawading Swimming Club Inc	1:03.84			
7	Sophie Petric		15	Nunawading Swimming Club Inc	1:04.59			
8	Abigail Bracken		16	Firbank Aquastars	1:05.61			
Heat	10 of 10	Timed Finals						
1	Jiyoo Seo		15	Nunawading Swimming Club Inc	1:02.88			
2	Lily Chan		14	Nunawading Swimming Club Inc	1:02.79			
3	Lucy Doyle		14	Nunawading Swimming Club Inc	1:01.51			
4	Celeste Cheng		15	Nunawading Swimming Club Inc	1:00.40			
5	Octavia Mahoney		13	St Leonard's College Swimming	1:01.05			
6	Hayley Jellie		17	Hamilton Olympic Swimming Club	1:02.40			
7	Mary Steele		13	St Leonard's College Swimming	1:02.86			
8	Isabella Richardson		16	Nunawading Swimming Club Inc	1:03.25			

2024 Ballarat Gold Short Course Meet - 2/06/2024
Meet Program - Morning Session

Event	6	Boys 100 SC Meter Free					
Lane	Name	Age	Team	Seed Time	Finals	Place	
Heat 1 of 9	Timed Finals						
1	Blake Scott	15	Ballarat Gold Swimming Club In	59.62L	_____	_____	
2	Harry Luo	15	Nunawading Swimming Club Inc	57.57	_____	_____	
3	Harry Heath	15	Nunawading Swimming Club Inc	56.08	_____	_____	
4	James Meddings	22	Ballarat Gold Swimming Club In	54.78	_____	_____	
5	Lachlan Rundell	15	Camberwell Grammar Aquatic	55.34	_____	_____	
6	Lewis Gee	15	Nunawading Swimming Club Inc	56.89	_____	_____	
7	Lemuel Junarsa	14	Nunawading Swimming Club Inc	57.90	_____	_____	
8	Lucas Chan	16	Nunawading Swimming Club Inc	58.45	_____	_____	
Heat 2 of 9	Timed Finals						
1	Louis McIlveney	14	St Leonard's College Swimming	1:01.70	_____	_____	
2	Kyle Roos	17	Firbank Aquastars	1:01.19	_____	_____	
3	Marley Sutherland	15	Ballarat Gold Swimming Club In	1:00.29	_____	_____	
4	Jack Lanyon	17	Ballarat Gold Swimming Club In	58.82	_____	_____	
5	William Lewis	16	Nunawading Swimming Club Inc	59.23	_____	_____	
6	Oliver Hall	14	Nunawading Swimming Club Inc	1:01.16	_____	_____	
7	Hantang Wang	12	Nunawading Swimming Club Inc	1:01.51	_____	_____	
8	Ethan Jihong Lee	13	Camberwell Grammar Aquatic	1:03.12	_____	_____	
Heat 3 of 9	Timed Finals						
1	Aiden Tang	13	St Leonard's College Swimming	1:10.05L	_____	_____	
2	William Staggard	11	Sandy Bay Swimming Club	1:07.44	_____	_____	
3	Aiden Ramos	13	Nunawading Swimming Club Inc	1:05.40	_____	_____	
4	Andre Talarico	15	Nunawading Swimming Club Inc	1:03.29	_____	_____	
5	Cade Faulkner	13	Camberwell Grammar Aquatic	1:03.71	_____	_____	
6	Feng Yang Sun	14	Firbank Aquastars	1:06.33	_____	_____	
7	Dylan Kelly	14	Gisborne Thunder Swimming Club	1:07.58	_____	_____	
8	Graidey Masiero	13	Kangaroo Flat	1:10.50L	_____	_____	
Heat 4 of 9	Timed Finals						
1	Jock Liberts	14	Geelong Sharks Swimming Club	1:11.96	_____	_____	
2	Lucas Campbell	15	Camberwell Grammar Aquatic	1:10.24	_____	_____	
3	Hugo Henderson	14	St Leonard's College Swimming	1:10.17	_____	_____	
4	Arjun Chahal	13	Nunawading Swimming Club Inc	1:09.20	_____	_____	
5	Isaac Hoyne	15	Firbank Aquastars	1:09.22	_____	_____	
6	Maxim Hocking	13	Ballarat Gold Swimming Club In	1:10.23	_____	_____	
7	Sicheng Wang	13	Camberwell Grammar Aquatic	1:11.80	_____	_____	
8	Jayden Lim	12	Ballarat Gold Swimming Club In	1:12.91	_____	_____	
Heat 5 of 9	Timed Finals						
1	Andrius Bruozis	14	Geelong Swimming Club Incorpor	1:16.26	_____	_____	
2	Marco French	14	Camberwell Grammar Aquatic	1:15.86	_____	_____	
3	Owen Barnes	11	Bendigo East Swimming Club	1:15.18	_____	_____	
4	Hayden Wilson	13	Ballarat Gco Swimming Club Inc	1:13.59	_____	_____	
5	Zack Thomas Enrique Jones	13	St Leonard's College Swimming	1:14.30	_____	_____	
6	Eric Zhou	14	St Leonard's College Swimming	1:15.52	_____	_____	
7	Mason Firth	13	Ballarat Gold Swimming Club In	1:15.91	_____	_____	
8	Andy Zhou	10	St Leonard's College Swimming	1:18.14L	_____	_____	
Heat 6 of 9	Timed Finals						
1	Henry Beechey	13	Ballarat Gold Swimming Club In	1:22.67	_____	_____	
2	Adam Conway	13	Ballarat Gold Swimming Club In	1:21.00	_____	_____	
3	Leander Reichenbach	12	Camberwell Grammar Aquatic	1:19.47	_____	_____	
4	Riley O'Callaghan	15	Ballarat Gold Swimming Club In	1:17.00	_____	_____	
5	Cooper Dodson	14	Horsham Swimming Club Inc	1:18.86	_____	_____	
6	Jason Huang	11	Laverton Wyndham Aquatics Inc.	1:21.30L	_____	_____	
7	Dichen Huang	14	Ballarat Swimming Club Inc	1:21.08	_____	_____	
8	Lachlan Henderson	11	St Leonard's College Swimming	1:23.32	_____	_____	

2024 Ballarat Gold Short Course Meet - 2/06/2024
Meet Program - Morning Session

Heat	Lane	Name	Age	Team	Seed Time	Finals	Place
Heat 7 Timed Finals... (Event 6 Boys 100 SC Meter Free)							
1		Jacob Routley	13	Geelong Swimming Club Incorpor	1:35.60	_____	_____
2		Darby Blackwell	10	Seymour & District Amateur Swi	1:35.14L	_____	_____
3		Charlie Tickell	12	Ballarat Gold Swimming Club In	1:33.28L	_____	_____
4		Henry Garland	12	St Leonard's College Swimming	1:23.47	_____	_____
5		Shengyu Han	12	Geelong Swimming Club Incorpor	1:25.96	_____	_____
6		Joseph Scruby	9	Ballarat Gold Swimming Club In	1:34.81L	_____	_____
7		Spencer Stanley	11	Geelong Swimming Club Incorpor	1:35.36	_____	_____
8		Matthew Swanton	12	Ballarat Gold Swimming Club In	1:38.06	_____	_____
Heat 8 of 9 Timed Finals							
1		Lachlan Mifsud	12	Warrnambool Swimming Club	NTL	_____	_____
2		Ethan Bruce	13	Ballarat Gold Swimming Club In	NTL	_____	_____
3		Sonny Finn Shepherd	10	Ballarat Gold Swimming Club In	1:57.99L	_____	_____
4		Matthew Rieniets	10	Ballarat Swimming Club Inc	1:48.88L	_____	_____
5		Cohan Morgan	9	Ballarat Gold Swimming Club In	1:49.98L	_____	_____
6		Sidney Bartlett	14	Firbank Aquastars	NT	_____	_____
7		Thomas Bruce	13	Ballarat Gold Swimming Club In	NTL	_____	_____
8		Arlo McHugh	12	Geelong Swimming Club Incorpor	NTL	_____	_____
Heat 9 of 9 Timed Finals							
3		Rrig Sharma	11	Melbourne Swimming Club	NTL	_____	_____
4		Jesse Welsh	12	Firbank Aquastars	NTL	_____	_____
5		Raymond Wang	12	Colac Swimming Club	NTL	_____	_____
6		Albert Pan	9	Ballarat Gold Swimming Club In	NTL	_____	_____
Event 7 Mixed 200 SC Meter Back							
Heat	Lane	Name	Age	Team	Seed Time	Finals	Place
Heat 1 of 3 Timed Finals							
1		Jeongmin Abrielle Won	W14	Nunawading Swimming Club Inc	2:36.25	_____	_____
2		Zahra Olowoniyi	W14	Nunawading Swimming Club Inc	2:27.25	_____	_____
3		Annie Steele	W15	St Leonard's College Swimming	2:19.22	_____	_____
4		Oliver McCormack	M15	Ballarat Gold Swimming Club In	2:14.91	_____	_____
5		Tom Urquhart	M16	Ballarat Gold Swimming Club In	2:15.34	_____	_____
6		Alexander MacRae	M18	Camberwell Grammar Aquatic	2:21.88	_____	_____
7		Will Frame	M14	Nunawading Swimming Club Inc	2:27.34	_____	_____
8		Olivia To	W14	Nunawading Swimming Club Inc	2:39.83	_____	_____
Heat 2 of 3 Timed Finals							
1		Thomas Costello	M15	Ballarat Gold Swimming Club In	2:45.47	_____	_____
2		Keila Enters	W14	Nunawading Swimming Club Inc	2:43.36	_____	_____
3		Angela Harnden	W15	St Leonard's College Swimming	2:42.46	_____	_____
4		Leona Loh-Hermans	W13	Nunawading Swimming Club Inc	2:41.80	_____	_____
5		Oscar Magalotti	M13	Nunawading Swimming Club Inc	2:42.21	_____	_____
6		George Kitson	M12	Geelong Swimming Club Incorpor	2:42.83	_____	_____
7		Bridie Steele	W11	St Leonard's College Swimming	2:46.94L	_____	_____
8		Matilda Young	W13	Ringwood Swimming Club Inc	2:47.97	_____	_____
Heat 3 of 3 Timed Finals							
2		William Staggard	M11	Sandy Bay Swimming Club	3:04.07L	_____	_____
3		Rania Ramsay	W13	Firbank Aquastars	2:55.60	_____	_____
4		Benjamin Sharpe	M12	Camberwell Grammar Aquatic	2:50.34	_____	_____
5		Maxim Hocking	M13	Ballarat Gold Swimming Club In	2:56.01L	_____	_____
6		Grace Cofield	W11	Ballarat Gold Swimming Club In	3:01.69L	_____	_____
7		Sebastian Gonzalez	M12	Ballarat Gold Swimming Club In	NTL	_____	_____
Event 8 Girls 50 SC Meter Fly							
Heat	Lane	Name	Age	Team	Seed Time	Finals	Place
Heat 1 of 7 Timed Finals							
3		Charlotte Whitehouse	12	Firbank Aquastars	NTL	_____	_____
4		Abigail Tickell	9	Ballarat Gold Swimming Club In	1:04.96L	_____	_____
5		Isabella Scullion	10	Ballarat Gold Swimming Club In	1:08.82L	_____	_____
6		Sienna Seater	12	Ballarat Gold Swimming Club In	NTL	_____	_____

2024 Ballarat Gold Short Course Meet - 2/06/2024
Meet Program - Morning Session

Heat	2	Timed Finals...	(Event	8	Girls 50 SC Meter Fly)			
1	Isabel Meneses Lopez		10	Ballarat Gold Swimming Club In	55.01L			
2	Isabella Juric		9	Kangaroo Flat	52.72			
3	Ondine Smith		12	Hamilton Olympic Swimming Club	49.99			
4	Amelia Alford		15	Melton Swimming Club Inc	49.12			
5	Annabel Hanson		13	Firbank Aquastars	49.14			
6	Mia Gray		14	Firbank Aquastars	50.10			
7	Dior O'Callaghan		14	Ballarat Gold Swimming Club In	54.05L			
8	Ariana Edwards		10	Ballarat Gold Swimming Club In	57.71L			
Heat	3 of 7	Timed Finals						
1	Lily Jovceski		8	Essendon District Aquatic	47.69			
2	Clara Powell		12	Ballarat Gold Swimming Club In	46.09			
3	Penelope Roberts		11	Kangaroo Flat	44.91			
4	Georgie Kennett		9	Ballarat Gold Swimming Club In	44.48			
5	Poppy Ann Shepherd		12	Ballarat Gold Swimming Club In	44.85			
6	Milly Jelbart		11	Camberwell Grammar Aquatic	46.31L			
7	Eva Robertson		14	Ballarat Gold Swimming Club In	47.20			
8	Bonnie Naylor		13	Ballarat Gco Swimming Club Inc	48.13			
Heat	4 of 7	Timed Finals						
1	Junqing Cao		11	Ballarat Gold Swimming Club In	44.36L			
2	Samirah Hassan		13	Ballarat Gold Swimming Club In	43.67L			
3	Camila Meneses Lopez		11	Ballarat Gold Swimming Club In	42.15L			
4	Claire Baker		11	Ballarat Gco Swimming Club Inc	41.50L			
5	Zarah Gilmour		11	Geelong Swimming Club Incorpor	40.82			
6	Juliette Mason		14	Geelong Swimming Club Incorpor	41.70			
7	Annabel Bartlett		11	Firbank Aquastars	43.37			
8	Shae O'Callaghan		11	Ballarat Gold Swimming Club In	43.77			
Heat	5 of 7	Timed Finals						
1	Poppy White		13	Horsham Swimming Club Inc	40.67L			
2	Stella McIntosh		11	Bendigo East Swimming Club	38.63			
3	Ella Weber		13	Firbank Aquastars	38.00			
4	Isabella Till		16	Ballarat Gco Swimming Club Inc	36.79			
5	Bridie Steele		11	St Leonard's College Swimming	37.73L			
6	Lois Scruby		11	Ballarat Gold Swimming Club In	38.57			
7	Taylah Costello		12	Ballarat Gold Swimming Club In	39.28			
8	Sophia Griffith		14	Firbank Aquastars	40.55			
Heat	6 of 7	Timed Finals						
1	Keira Stubbings		11	Camberwell Grammar Aquatic	34.89			
2	Elle Cofield		15	Ballarat Gold Swimming Club In	34.69			
3	Sophie-May Ronzani		13	Camberwell Grammar Aquatic	34.90L			
4	Abigail Bracken		16	Firbank Aquastars	34.07			
5	Emily Jellie		17	Hamilton Olympic Swimming Club	34.12			
6	Claire Mathison		15	Ballarat Gold Swimming Club In	34.49			
7	Tess Kelly		16	Gisborne Thunder Swimming Club	34.76			
8	Ania Siedlaczek		37	Ballarat Swimming Club Inc	35.65			
Heat	7 of 7	Timed Finals						
1	Matilda Gillespie		15	Ballarat Gold Swimming Club In	33.69L			
2	Ella Irvine		15	Nunawading Swimming Club Inc	31.91			
3	Zahra Olowoniyi		14	Nunawading Swimming Club Inc	31.41			
4	Isla Ho		16	Ballarat Gold Swimming Club In	29.74			
5	Mary Steele		13	St Leonard's College Swimming	32.04L			
6	Kayla Sautner		16	Nunawading Swimming Club Inc	31.82			
7	Skye Weddell		16	Firbank Aquastars	32.91			
8	Eve Pahos		14	Camberwell Grammar Aquatic	33.43			

2024 Ballarat Gold Short Course Meet - 2/06/2024
Meet Program - Morning Session
Event 9 Boys 50 SC Meter Fly

Event Lane	Name	Age	Team	Seed Time	Finals	Place
Heat 1 of 6 Timed Finals						
2	Ethan Hill	9	Geelong Swimming Club Incorpor	NTL	_____	_____
3	Jack de Fina-Nash	11	Firbank Aquastars	NTL	_____	_____
4	Jacob Routley	13	Geelong Swimming Club Incorpor	NTL	_____	_____
5	William Staggard	11	Sandy Bay Swimming Club	NT	_____	_____
6	Rrig Sharma	11	Melbourne Swimming Club	NTL	_____	_____
7	Samar Budhiraja	8	Hume City Swimming Club Inc	NTL	_____	_____
Heat 2 of 6 Timed Finals						
1	Aiden Lin	7	Ivanhoe Aqua Power Swimming Cl	1:28.11	_____	_____
2	Oliver Young	9	Geelong Swimming Club Incorpor	58.52	_____	_____
3	Alexander Lee	8	Kangaroo Flat	55.24L	_____	_____
4	William Thompson	9	Melton Swimming Club Inc	51.23	_____	_____
5	Logan Brundell	11	Ballarat Gco Swimming Club Inc	52.92	_____	_____
6	Edward Valentan	11	Ballarat Swimming Club Inc	56.84	_____	_____
7	Cohan Morgan	9	Ballarat Gold Swimming Club In	1:21.11L	_____	_____
8	Sidney Bartlett	14	Firbank Aquastars	NT	_____	_____
Heat 3 of 6 Timed Finals						
1	Arlo McHugh	12	Geelong Swimming Club Incorpor	51.66L	_____	_____
2	Darby Blackwell	10	Seymour & District Amateur Swi	45.85	_____	_____
3	Henry Garland	12	St Leonard's College Swimming	44.65	_____	_____
4	Shengmin Han	9	Geelong Swimming Club Incorpor	44.95L	_____	_____
5	Jesse Welsh	12	Firbank Aquastars	44.54	_____	_____
6	Jude Harrison	10	Ballarat Gold Swimming Club In	45.25	_____	_____
7	James Davenport	10	Bendigo East Swimming Club	49.35	_____	_____
8	Mason Firth	13	Ballarat Gold Swimming Club In	50.85	_____	_____
Heat 4 of 6 Timed Finals						
1	Miles Ma Sing	11	St Leonard's College Swimming	42.95	_____	_____
2	Owen Barnes	11	Bendigo East Swimming Club	42.00	_____	_____
3	Raymond Wang	12	Colac Swimming Club	39.56	_____	_____
4	Riley O'Callaghan	15	Ballarat Gold Swimming Club In	38.59L	_____	_____
5	Marco French	14	Camberwell Grammar Aquatic	39.53	_____	_____
6	Sam Hevey	13	Firbank Aquastars	40.97	_____	_____
7	Zack Thomas Enrique Jones	13	St Leonard's College Swimming	42.53	_____	_____
8	Eoin Whelan	10	Camberwell Grammar Aquatic	42.97	_____	_____
Heat 5 of 6 Timed Finals						
1	Aaron Skinner	32	Geelong Sharks Swimming Club	35.52	_____	_____
2	Dylan Kelly	14	Gisborne Thunder Swimming Club	33.27	_____	_____
3	William Lewis	16	Nunawading Swimming Club Inc	31.58	_____	_____
4	Thomas Neylan	15	Nunawading Swimming Club Inc	29.95	_____	_____
5	Sebastian Smith	18	Horsham Swimming Club Inc	29.99	_____	_____
6	Chase Briggs	16	Horsham Swimming Club Inc	32.16	_____	_____
7	Arjun Chahal	13	Nunawading Swimming Club Inc	33.93	_____	_____
8	George Zheng	10	Yarra Plenty Waves	36.43	_____	_____
Heat 6 of 6 Timed Finals						
1	Austin Bartlett	15	Nunawading Swimming Club Inc	29.65	_____	_____
2	Bryan Wong	16	Nunawading Swimming Club Inc	29.00	_____	_____
3	Lachlan Rundell	15	Camberwell Grammar Aquatic	27.05	_____	_____
4	Tharwin Prarom	15	Nunawading Swimming Club Inc	26.31	_____	_____
5	Cooper Sutherland	18	Ballarat Gold Swimming Club In	26.55	_____	_____
6	Luke Gallagher	16	Ballarat Gco Swimming Club Inc	27.60	_____	_____
7	Kevin Huang	16	Ballarat Gold Swimming Club In	29.38	_____	_____
8	Kyle Roos	17	Firbank Aquastars	29.75	_____	_____

2024 Ballarat Gold Short Course Meet - 2/06/2024
Meet Program - Morning Session

Event	10	Girls 100 SC Meter Breast						
Lane	Name	Age	Team	Seed Time		Finals	Place	
Heat	1 of 7	Timed Finals						
2	Winter Neil	10	Ballarat Gold Swimming Club In	NTL		_____	_____	
3	Charlotte Marsh	11	Geelong Swimming Club Incorpor	NTL		_____	_____	
4	Ondine Smith	12	Hamilton Olympic Swimming Club	NTL		_____	_____	
5	Liwen Niu	11	Geelong Swimming Club Incorpor	NTL		_____	_____	
6	Sophie Lee	10	Kangaroo Flat	NTL		_____	_____	
7	Nellie Gray	9	Geelong Swimming Club Incorpor	NTL		_____	_____	
Heat	2 of 7	Timed Finals						
1	Isabella Scullion	10	Ballarat Gold Swimming Club In	2:07.55L		_____	_____	
2	Ella Featherston	11	Ballarat Gold Swimming Club In	1:58.65L		_____	_____	
3	Poppy Ann Shepherd	12	Ballarat Gold Swimming Club In	1:54.09L		_____	_____	
4	Eva Robertson	14	Ballarat Gold Swimming Club In	1:49.64		_____	_____	
5	Elizabeth Walter	12	Firbank Aquastars	1:51.34		_____	_____	
6	Lois Scruby	11	Ballarat Gold Swimming Club In	1:54.12		_____	_____	
7	Mia Gray	14	Firbank Aquastars	1:56.85		_____	_____	
8	Violet Bramley	12	Camberwell Grammar Aquatic	NTL		_____	_____	
Heat	3 of 7	Timed Finals						
1	Amber McCredan	18	Hamilton Olympic Swimming Club	1:48.87		_____	_____	
2	Bonnie Naylor	13	Ballarat Gco Swimming Club Inc	1:47.22		_____	_____	
3	Hayley Jellie	17	Hamilton Olympic Swimming Club	1:46.16		_____	_____	
4	Dior O'Callaghan	14	Ballarat Gold Swimming Club In	1:45.60		_____	_____	
5	Audrey Hanson	15	Firbank Aquastars	1:45.82		_____	_____	
6	Mila Abley	12	Bendigo East Swimming Club	1:47.12		_____	_____	
7	Adela Ren	9	Ivanhoe Aqua Power Swimming Cl	1:48.30		_____	_____	
8	Estelle Karlake	12	Ballarat Gco Swimming Club Inc	1:51.23L		_____	_____	
Heat	4 of 7	Timed Finals						
1	Zoe Bruce	12	Geelong Swimming Club Incorpor	1:45.72L		_____	_____	
2	Astrid Buchanan	12	Ballarat Swimming Club Inc	1:43.21		_____	_____	
3	Ruby Morgan	13	Firbank Aquastars	1:41.35		_____	_____	
4	Nina Sutherland	13	Ballarat Gold Swimming Club In	1:39.98		_____	_____	
5	Poppy White	13	Horsham Swimming Club Inc	1:40.61		_____	_____	
6	Matilda Noonan	14	Camberwell Grammar Aquatic	1:44.41L		_____	_____	
7	Holly Preston	14	Ballarat Gco Swimming Club Inc	1:43.25		_____	_____	
8	Abi Jelbart	13	Camberwell Grammar Aquatic	1:47.62L		_____	_____	
Heat	5 of 7	Timed Finals						
1	Isabelle Thornborrow	11	Firbank Aquastars	1:38.86		_____	_____	
2	Lexi Freestone	12	Yarra Plenty Waves	1:36.97		_____	_____	
3	Isla Hassett	16	Geelong Swimming Club Incorpor	1:35.83		_____	_____	
4	Matilda Young	13	Ringwood Swimming Club Inc	1:34.15		_____	_____	
5	Hollie Watson	13	Bendigo East Swimming Club	1:35.31		_____	_____	
6	Ellua Boyd	14	Horsham Swimming Club Inc	1:35.99		_____	_____	
7	Jumanah Fahmy	12	Nunawading Swimming Club Inc	1:37.27		_____	_____	
8	Amelia Wilson	12	Ballarat Gco Swimming Club Inc	1:39.66		_____	_____	
Heat	6 of 7	Timed Finals						
1	Anna Leighton	24	Ballarat Gold Swimming Club In	1:32.20		_____	_____	
2	Natalia Muis-Khoury	14	Geelong Sharks Swimming Club	1:30.90		_____	_____	
3	Sophia Beaton	13	Ballarat Gold Swimming Club In	1:28.63		_____	_____	
4	Isabella Richardson	16	Nunawading Swimming Club Inc	1:27.91		_____	_____	
5	Guoran Huang	13	Camberwell Grammar Aquatic	1:28.43		_____	_____	
6	Madison Brown	14	Nunawading Swimming Club Inc	1:29.49		_____	_____	
7	Gabi Yang	15	Camberwell Grammar Aquatic	1:31.40		_____	_____	
8	Matilda Gillespie	15	Ballarat Gold Swimming Club In	1:34.48L		_____	_____	

2024 Ballarat Gold Short Course Meet - 2/06/2024
Meet Program - Morning Session

Heat	Lane	Name	Age	Team	Seed Time	Finals	Place
Heat 7 Timed Finals... (Event 10 Girls 100 SC Meter Breast)							
1		Claire Mathison	15	Ballarat Gold Swimming Club In	1:27.15	_____	_____
2		Amelie Crellin	16	Nunawading Swimming Club Inc	1:23.34	_____	_____
3		Skye Laube	17	Ballarat Gold Swimming Club In	1:21.34	_____	_____
4		Jiyoo Seo	15	Nunawading Swimming Club Inc	1:17.17	_____	_____
5		Amelie Theophanous-Maddison	14	Nunawading Swimming Club Inc	1:18.88	_____	_____
6		Weylen Truong	14	Nunawading Swimming Club Inc	1:21.70	_____	_____
7		Keila Enters	14	Nunawading Swimming Club Inc	1:24.72	_____	_____
8		Octavia Mahoney	13	St Leonard's College Swimming	1:27.24	_____	_____
Event 11 Boys 100 SC Meter Breast							
Heat 1 of 6 Timed Finals							
1		Aiden Lin	7	Ivanhoe Aqua Power Swimming Cl	NTL	_____	_____
2		Albert Pan	9	Ballarat Gold Swimming Club In	NTL	_____	_____
3		Jacob Routley	13	Geelong Swimming Club Incorpor	NTL	_____	_____
4		Lachlan Mifsud	12	Warrnambool Swimming Club	2:05.08	_____	_____
5		Thomas Bruce	13	Ballarat Gold Swimming Club In	NTL	_____	_____
6		Sonny Finn Shepherd	10	Ballarat Gold Swimming Club In	NTL	_____	_____
7		Ted Gladman	9	Ballarat Gold Swimming Club In	NTL	_____	_____
Heat 2 of 6 Timed Finals							
1		Spencer Stanley	11	Geelong Swimming Club Incorpor	2:00.04	_____	_____
2		George Zheng	10	Yarra Plenty Waves	1:51.07	_____	_____
3		Riley O'Callaghan	15	Ballarat Gold Swimming Club In	1:47.25	_____	_____
4		Henry Garland	12	St Leonard's College Swimming	1:47.61L	_____	_____
5		Lachlan Henderson	11	St Leonard's College Swimming	1:45.99	_____	_____
6		Jayden Lim	12	Ballarat Gold Swimming Club In	1:47.26	_____	_____
7		Rrig Sharma	11	Melbourne Swimming Club	1:53.47	_____	_____
8		Jason Huang	11	Laverton Wyndham Aquatics Inc.	2:05.07	_____	_____
Heat 3 of 6 Timed Finals							
1		Shengyu Han	12	Geelong Swimming Club Incorpor	1:43.00	_____	_____
2		Reuben Greeff	10	Ballarat Swimming Club Inc	1:40.90	_____	_____
3		Dichen Huang	14	Ballarat Swimming Club Inc	1:42.04L	_____	_____
4		Andrius Bruozis	14	Geelong Swimming Club Incorpor	1:39.51	_____	_____
5		Andy Jiang	13	Firbank Aquastars	1:39.77	_____	_____
6		Marley Sutherland	15	Ballarat Gold Swimming Club In	1:40.85	_____	_____
7		Adam Conway	13	Ballarat Gold Swimming Club In	1:43.40L	_____	_____
8		Jack Lomax	11	Seymour & District Amateur Swi	1:44.73	_____	_____
Heat 4 of 6 Timed Finals							
1		Graidey Masiero	13	Kangaroo Flat	1:37.08	_____	_____
2		Bryce Scott	12	Ballarat Gold Swimming Club In	1:35.18	_____	_____
3		Jesse Pratt	13	Firbank Aquastars	1:31.71	_____	_____
4		Oliver Hall	14	Nunawading Swimming Club Inc	1:28.35	_____	_____
5		Max Ravisa	13	Ballarat Gold Swimming Club In	1:30.55	_____	_____
6		Jock Liberts	14	Geelong Sharks Swimming Club	1:34.13	_____	_____
7		Sebastian Chambers	13	Geelong Swimming Club Incorpor	1:38.42L	_____	_____
8		Aiden Ramos	13	Nunawading Swimming Club Inc	1:38.16	_____	_____
Heat 5 of 6 Timed Finals							
1		Isaac Hoyne	15	Firbank Aquastars	1:26.35	_____	_____
2		Austin Bartlett	15	Nunawading Swimming Club Inc	1:20.21	_____	_____
3		Joel Murdoch	14	Nunawading Swimming Club Inc	1:19.06	_____	_____
4		Ji Xuan Song	14	Nunawading Swimming Club Inc	1:18.01	_____	_____
5		Lewis Gee	15	Nunawading Swimming Club Inc	1:18.57	_____	_____
6		Cameron Dole	56	Ballarat Gco Swimming Club Inc	1:19.40	_____	_____
7		Oscar Magalotti	13	Nunawading Swimming Club Inc	1:24.06	_____	_____
8		Sicheng Wang	13	Camberwell Grammar Aquatic	1:27.47	_____	_____

2024 Ballarat Gold Short Course Meet - 2/06/2024
Meet Program - Morning Session

Heat	6	Timed Finals...	(Event	11	Boys 100 SC Meter Breast)			
1	Ryan Martin		14	Nunawading Swimming Club Inc	1:14.35			
2	Lucas Chan		16	Nunawading Swimming Club Inc	1:11.09			
3	Harry Luo		15	Nunawading Swimming Club Inc	1:08.78			
4	Harry Heath		15	Nunawading Swimming Club Inc	1:05.59			
5	Dayne Schnyder		18	Ballarat Gold Swimming Club In	1:05.79			
6	Cooper Sutherland		18	Ballarat Gold Swimming Club In	1:10.14			
7	Blake Scott		15	Ballarat Gold Swimming Club In	1:13.17			
8	Andre Talarico		15	Nunawading Swimming Club Inc	1:14.79			

Event	12	Girls 200 SC Meter IM	Age	Team	Seed Time	Finals	Place
-------	----	-----------------------	-----	------	-----------	--------	-------

Heat	1 of 3	Timed Finals					
1	Charlotte Whitehouse		12	Firbank Aquastars	3:41.55		
2	Evie Lee		14	Geelong Swimming Club Incorpor	3:16.75		
3	Yvette Hoyne		13	Firbank Aquastars	3:03.90		
4	Taylah Costello		12	Ballarat Gold Swimming Club In	3:05.63L		
5	Neve Harrison		12	Ballarat Gold Swimming Club In	3:06.63L		
6	Tayla Holt		11	Melbourne Swimming Club	3:15.00L		
7	Matilda Biberow		12	Melbourne Swimming Club	3:26.35L		
8	Xiaohan Chen		12	Ballarat Swimming Club Inc	NTL		

Heat	2 of 3	Timed Finals					
1	Jone Greeff		12	Ballarat Swimming Club Inc	3:00.61L		
2	Matilda Young		13	Ringwood Swimming Club Inc	2:54.48		
3	Emily Doyle		16	Nunawading Swimming Club Inc	2:52.04		
4	Ruth Whelan		12	Camberwell Grammar Aquatic	2:49.35		
5	Scarlet Gilmour		13	Geelong Swimming Club Incorpor	2:51.98		
6	Charlotte Matthews		17	Gisborne Thunder Swimming Club	2:56.72L		
7	Phoebe Scarff		13	Firbank Aquastars	2:54.76		
8	Lucy Dolan		12	St Leonard's College Swimming	2:57.95		

Heat	3 of 3	Timed Finals					
1	Celeste Cheng		15	Nunawading Swimming Club Inc	2:40.47		
2	Karma Fahmy		14	Nunawading Swimming Club Inc	2:37.97		
3	Lily Chan		14	Nunawading Swimming Club Inc	2:34.49L		
4	Annie Steele		15	St Leonard's College Swimming	2:19.03		
5	Lucy Doyle		14	Nunawading Swimming Club Inc	2:28.97		
6	Jiyoo Seo		15	Nunawading Swimming Club Inc	2:35.44		
7	Jamie de Borzatti		13	Nunawading Swimming Club Inc	2:38.94		
8	Sophie Turanyik		14	St Leonard's College Swimming	2:41.62		

Event	13	Boys 200 SC Meter IM	Age	Team	Seed Time	Finals	Place
-------	----	----------------------	-----	------	-----------	--------	-------

Heat	1 of 3	Timed Finals					
3	Sidney Bartlett		14	Firbank Aquastars	NT		
4	Flynn Dodson		12	Horsham Swimming Club Inc	3:22.51L		
5	William Thompson		9	Melton Swimming Club Inc	3:59.45L		

Heat	2 of 3	Timed Finals					
1	Riley O'Callaghan		15	Ballarat Gold Swimming Club In	3:15.04L		
2	Leander Reichenbach		12	Camberwell Grammar Aquatic	3:05.01L		
3	Benjamin Sharpe		12	Camberwell Grammar Aquatic	2:51.33		
4	Ethan Jihong Lee		13	Camberwell Grammar Aquatic	2:45.47		
5	George Kitson		12	Geelong Swimming Club Incorpor	2:49.06L		
6	Feng Yang Sun		14	Firbank Aquastars	2:59.98		
7	Daniel Walter		13	Firbank Aquastars	3:10.53		
8	Aaron Skinner		32	Geelong Sharks Swimming Club	3:14.62		

2024 Ballarat Gold Short Course Meet - 2/06/2024
Meet Program - Morning Session

Heat	Lane	Team	Relay	Seed Time	Finals	Place
Event 13 Boys 200 SC Meter IM						
Heat 3	Timed Finals...					
1		Arjun Chahal	13	Nunawading Swimming Club Inc	2:37.68	_____
2		William Smith	17	Firbank Aquastars	2:31.36	_____
3		Jack Lanyon	17	Ballarat Gold Swimming Club In	2:33.87L	_____
4		Tharwin Prarom	15	Nunawading Swimming Club Inc	2:10.80	_____
5		Haydn Lowe	16	Blue Lake Y	2:28.67	_____
6		Lemuel Junarsa	14	Nunawading Swimming Club Inc	2:31.18	_____
7		Cade Faulkner	13	Camberwell Grammar Aquatic	2:34.52	_____
8		Thomas Costello	15	Ballarat Gold Swimming Club In	2:44.74	_____
Event 14 Mixed 200 SC Meter Medley Relay						
Heat	Lane	Team	Relay	Seed Time	Finals	Place
Heat 1 of 4 Timed Finals						
1		Ballarat Gold Swimming Club In	N	NT	_____	_____
2		Ballarat Gold Swimming Club In	L	NT	_____	_____
3		Ballarat Gold Swimming Club In	J	NT	_____	_____
4		Ballarat Gold Swimming Club In	H	NT	_____	_____
5		Ballarat Gold Swimming Club In	I	NT	_____	_____
6		Ballarat Gold Swimming Club In	K	NT	_____	_____
7		Ballarat Gold Swimming Club In	M	NT	_____	_____
8		Ballarat Gold Swimming Club In	O	NT	_____	_____
Heat 2 of 4 Timed Finals						
1		Firbank Aquastars	F	NT	_____	_____
2		Ballarat Gold Swimming Club In	F	NT	_____	_____
3		Camberwell Grammar Aquatic	E	NT	_____	_____
4		Ballarat Gold Swimming Club In	D	NT	_____	_____
5		Ballarat Gold Swimming Club In	E	NT	_____	_____
6		Firbank Aquastars	E	NT	_____	_____
7		Camberwell Grammar Aquatic	F	NT	_____	_____
8		Ballarat Gold Swimming Club In	G	NT	_____	_____
Heat 3 of 4 Timed Finals						
1		Camberwell Grammar Aquatic	D	NT	_____	_____
2		Ballarat Gold Swimming Club In	C	NT	_____	_____
3		Firbank Aquastars	C	NT	_____	_____
4		Firbank Aquastars	B	NT	_____	_____
5		Camberwell Grammar Aquatic	C	NT	_____	_____
6		Nunawading Swimming Club Inc	C	NT	_____	_____
7		Nunawading Swimming Club Inc	D	NT	_____	_____
8		Firbank Aquastars	D	NT	_____	_____
Heat 4 of 4 Timed Finals						
1		Nunawading Swimming Club Inc	B	NT	_____	_____
2		Nunawading Swimming Club Inc	A	NT	_____	_____
3		Ballarat Gco Swimming Club Inc	A	NT	_____	_____
4		Camberwell Grammar Aquatic	A	NT	_____	_____
5		Firbank Aquastars	A	NT	_____	_____
6		Ballarat Gold Swimming Club In	A	NT	_____	_____
7		Ballarat Gold Swimming Club In	B	NT	_____	_____
8		Camberwell Grammar Aquatic	B	NT	_____	_____



Product	RRP	Ballarat Swim Club Member Price	Contribution to Club
ANKLE / WRIST / ELBOW	\$79.00	\$67.15	\$6.70 per brace
KNEE/ ARM / LEG	\$139.00	\$118.50	\$11.85 per brace
SHOULDER / HIP / GLUTE	\$129.00	\$109.65	\$10.90 per brace
BACK / CHEST	\$119.00	\$101.15	\$10.10 per brace

<https://re3.global/collections/shop>
USE BGSC15 at checkout

SUPPORTING LOCAL

- 15% OFF ALL RE3 PRODUCTS SITE WIDE
- RE3 TO DONATE 10% OF SALES GENERATED BY THE CLUB BACK
- PRODUCTS WILL BE DELIVERED DIRECTLY TO THE CLUB ROOMS FOR DISTRIBUTION
- SUPPORTING LOCAL ATHLETES & THE CLUBS THAT SUPPORT THEM



Dodgy knee joints that plagued generations and sick of fossicking for a bag of peas at the bottom of the freezer, sparked the seed of an idea for Belinda Voigt. In 2018 the RE3 Ice Compression Pack was born. Belinda is a Melbourne based mother of 3 children all diagnosed with hyper-mobile knee joints, something they inherited from their Mum. As competitive young athletes, the consequence was significant pain and swelling with part of the recommended treatment being ice after every training and competition.

Evidence confirms ice works! The scientific thought is that if an injury site can be reduced to 10 degrees, this reduces nerve conduction velocity, thereby reducing pain from surface tissues. There are many thoughts as to when to apply and duration, but the fact remains that ice assists with recovery and so we see athletes on TV with various contraptions involving plastic, tape and a hard lump of ice. The same can be said of many patients coming out of orthopaedic surgery as a means to control swelling and pain.

The problem Belinda faced was that both her daughters who were swimming competitively, objected to the nightly “icing” ritual. As busy teenagers they didn’t want to sit in one place for the required time, the ice would not stay in the correct position and as a result the ice was not clinically effective, not to mention the mess it created with pools of dripping water and copious amounts of complaining. It became just too hard. Belinda was convinced there had to be an easier solution. There were variations on the market, but many required actual ice that melted, were uncomfortable and didn’t secure into place – they simply still didn’t fulfill the brief. She knew she needed to design something that satisfied the full criteria – it needed to be comfortable, secure, reusable, would allow mobility, maintain temperature, one size fits all (children and adults) and most of all was easy to use and if it looked good, this would make it even better. Belinda consulted with various experts in medicine, science and high performance sport and after four years of planning, prototyping, testing and evaluating the RE3 Ice Compression Pack was born.

18 months of being in market the feedback to the product has been incredible. Not only is RE3 being used by elite athletes and sporting clubs, but an increasing number of orthopaedic surgeons have been using the pack as a post-operative recovery tool both in and out of hospital. This has broadened the customer base significantly and brought RE3 to the attention of all consumers that suffer muscular or joint pain.

Passionate and dedicated, Belinda is proud of RE3 and all that it has to offer.

2024 Ballarat Gold Short Course Meet - 2/06/2024
Session Report

Day of Meet: 1 Session: 2 Afternoon Session
 Starts at 01:30 PM Heat Interval: 30 Seconds / Back +40 Seconds

Round	Event	Starts at
Finals	15 Girls 100 Back	01:30 PM
Finals	16 Boys 100 Back	01:49 PM
Finals	17 Girls 200 Free	02:05 PM
Finals	18 Boys 200 Free	02:19 PM
Finals	19 Girls 50 Breast	02:32 PM
Finals	20 Boys 50 Breast	02:43 PM
Finals	21 Girls 100 IM	02:53 PM
Finals	22 Boys 100 IM	03:13 PM
Finals	23 Mixed 200 Fly	03:29 PM
Finals	24 Girls 50 Free	03:33 PM
Finals	25 Boys 50 Free	03:50 PM
Finals	26 Mixed 200 Breast	04:01 PM
Finals	27 Girls 100 Fly	04:14 PM
Finals	28 Boys 100 Fly	04:22 PM
Finals	29 Mixed 200 Free Relay	04:28 PM
	Swimmers Counts for Warm-ups: 288	
	Finish Time	04:42 PM

Session and break times are a guide and are subject to change. Please keep an eye on the Marshalling board and listen for announcements.

The first heat of 'Event 2 - 400m IM' may also have 400m Freestyle swimmers competing.

NB Ev. 6, 7, 22, 25 and 26 have been seeded 'Fast to Slow' to optimise recovery time for all swimmers.

The remaining events have the slowest heats first.



Ashlee Grace

We're Popping Up @

BALLARAT GOLD SWIM MEET

Sunday, June 2nd



**TECH SUITS
SWIMWEAR
ACCESSORIES**



PRE ORDER for PICK UP on the day
USE CODE: POP UP PRE ORDER

2024 Ballarat Gold Short Course Meet - 2/06/2024
Meet Program - Afternoon Session
Event 15 Girls 100 SC Meter Back

Event Lane	Name	Age	Team	Seed Time	Finals	Place
Heat 1 of 7 Timed Finals						
2	Violet Bramley	12	Camberwell Grammar Aquatic	NTL	_____	_____
3	Matilda Thomas	12	Geelong Swimming Club Incorpor	NTL	_____	_____
4	Zoe Bruce	12	Geelong Swimming Club Incorpor	1:39.90	_____	_____
5	Raya Noakes	10	St Leonard's College Swimming	1:54.03L	_____	_____
6	Penny Conway	12	Ballarat Gold Swimming Club In	NTL	_____	_____
Heat 2 of 7 Timed Finals						
1	Amelia Alford	15	Melton Swimming Club Inc	1:38.70	_____	_____
2	Ella Featherston	11	Ballarat Gold Swimming Club In	1:34.84	_____	_____
3	Annabel Bartlett	11	Firbank Aquastars	1:31.56	_____	_____
4	Sophia Beaton	13	Ballarat Gold Swimming Club In	1:29.87	_____	_____
5	Lauren Davenport	11	Bendigo East Swimming Club	1:30.63	_____	_____
6	Chenxi Zheng	12	Ballarat Swimming Club Inc	1:35.70L	_____	_____
7	Neve Harrison	12	Ballarat Gold Swimming Club In	1:38.36	_____	_____
8	Ruby Cookson	12	Ballarat Swimming Club Inc	1:39.59	_____	_____
Heat 3 of 7 Timed Finals						
1	Yvette Hoyne	13	Firbank Aquastars	1:29.81L	_____	_____
2	Isabella Till	16	Ballarat Gco Swimming Club Inc	1:27.88	_____	_____
3	Liwen Niu	11	Geelong Swimming Club Incorpor	1:29.26L	_____	_____
4	Jone Greeff	12	Ballarat Swimming Club Inc	1:25.22	_____	_____
5	Jade Hayward	12	Kangaroo Flat	1:26.34	_____	_____
6	Scarlet Gilmour	13	Geelong Swimming Club Incorpor	1:27.60	_____	_____
7	Isabelle Thornborrow	11	Firbank Aquastars	1:28.03	_____	_____
8	Xiaohan Chen	12	Ballarat Swimming Club Inc	1:29.63	_____	_____
Heat 4 of 7 Timed Finals						
1	Bridie Steele	11	St Leonard's College Swimming	1:24.10	_____	_____
2	Leah Ross	16	Ballarat Gold Swimming Club In	1:20.99	_____	_____
3	Isla Hassett	16	Geelong Swimming Club Incorpor	1:20.26	_____	_____
4	Emily Doyle	16	Nunawading Swimming Club Inc	1:18.60	_____	_____
5	Tess Kelly	16	Gisborne Thunder Swimming Club	1:19.88	_____	_____
6	Sophie Turanyik	14	St Leonard's College Swimming	1:20.50	_____	_____
7	Niamh Napper	14	Surf Coast Swimming Club Inc.	1:21.72	_____	_____
8	Rania Ramsay	13	Firbank Aquastars	1:24.14	_____	_____
Heat 5 of 7 Timed Finals						
1	Anna Leighton	24	Ballarat Gold Swimming Club In	1:18.41	_____	_____
2	Matilda Young	13	Ringwood Swimming Club Inc	1:18.27	_____	_____
3	Sarah Howe	19	Ballarat Gold Swimming Club In	1:17.01	_____	_____
4	Hollie Watson	13	Bendigo East Swimming Club	1:16.25	_____	_____
5	Angela Harnden	15	St Leonard's College Swimming	1:16.50	_____	_____
6	Weylen Truong	14	Nunawading Swimming Club Inc	1:17.79	_____	_____
7	Elle Cofield	15	Ballarat Gold Swimming Club In	1:18.37	_____	_____
8	Keira Stubbings	11	Camberwell Grammar Aquatic	1:18.41	_____	_____
Heat 6 of 7 Timed Finals						
1	Amelie Theophanous-Maddison	14	Nunawading Swimming Club Inc	1:15.60	_____	_____
2	Octavia Mahoney	13	St Leonard's College Swimming	1:14.18	_____	_____
3	Celeste Cheng	15	Nunawading Swimming Club Inc	1:13.25	_____	_____
4	Madison Brown	14	Nunawading Swimming Club Inc	1:12.27	_____	_____
5	Isabella Richardson	16	Nunawading Swimming Club Inc	1:13.08	_____	_____
6	Jumanah Fahmy	12	Nunawading Swimming Club Inc	1:14.09	_____	_____
7	Hayley Jellie	17	Hamilton Olympic Swimming Club	1:14.95	_____	_____
8	Leona Loh-Hermans	13	Nunawading Swimming Club Inc	1:16.02	_____	_____

2024 Ballarat Gold Short Course Meet - 2/06/2024
Meet Program - Afternoon Session

Heat	Lane	Name	Age	Team	Seed Time	Finals	Place
Event 15 Girls 100 SC Meter Back							
Heat 7 Timed Finals...							
1		Jiyoo Seo	15	Nunawading Swimming Club Inc	1:12.16	_____	_____
2		Isla Ho	16	Ballarat Gold Swimming Club In	1:11.21	_____	_____
3		Skye Laube	17	Ballarat Gold Swimming Club In	1:09.37	_____	_____
4		Annie Steele	15	St Leonard's College Swimming	1:03.07	_____	_____
5		Claire Mathison	15	Ballarat Gold Swimming Club In	1:08.97	_____	_____
6		Karma Fahmy	14	Nunawading Swimming Club Inc	1:11.12	_____	_____
7		Lily Chan	14	Nunawading Swimming Club Inc	1:11.52	_____	_____
8		Ella Irvine	15	Nunawading Swimming Club Inc	1:12.20	_____	_____
Event 16 Boys 100 SC Meter Back							
Heat 1 of 6 Timed Finals							
3		Kallen Ye	9	Ivanhoe Aqua Power Swimming Cl	NTL	_____	_____
4		Lachlan Griplas	13	St Leonard's College Swimming	NTL	_____	_____
5		Aiden Tang	13	St Leonard's College Swimming	NTL	_____	_____
Heat 2 of 6 Timed Finals							
2		Cooper Dodson	14	Horsham Swimming Club Inc	1:45.43	_____	_____
3		Riley O'Callaghan	15	Ballarat Gold Swimming Club In	1:40.61	_____	_____
4		Jason Huang	11	Laverton Wyndham Aquatics Inc.	1:36.79L	_____	_____
5		Henry Beechey	13	Ballarat Gold Swimming Club In	1:38.64	_____	_____
6		Elliot Stott	13	Ballarat Gold Swimming Club In	1:47.39L	_____	_____
7		Jude Harrison	10	Ballarat Gold Swimming Club In	2:21.62	_____	_____
Heat 3 of 6 Timed Finals							
1		Bill Wang	14	Camberwell Grammar Aquatic	1:32.03	_____	_____
2		Andy Zhou	10	St Leonard's College Swimming	1:32.25L	_____	_____
3		Andrius Bruozis	14	Geelong Swimming Club Incorpor	1:29.55	_____	_____
4		Daniel Walter	13	Firbank Aquastars	1:27.00	_____	_____
5		Dichen Huang	14	Ballarat Swimming Club Inc	1:27.10	_____	_____
6		Hayden Wilson	13	Ballarat Gco Swimming Club Inc	1:30.04	_____	_____
7		Owen Barnes	11	Bendigo East Swimming Club	1:30.88	_____	_____
8		Dylan Kelly	14	Gisborne Thunder Swimming Club	1:32.12	_____	_____
Heat 4 of 6 Timed Finals							
1		Shengyu Han	12	Geelong Swimming Club Incorpor	1:28.61L	_____	_____
2		Mason Firth	13	Ballarat Gold Swimming Club In	1:23.67	_____	_____
3		Benjamin Sharpe	12	Camberwell Grammar Aquatic	1:19.31	_____	_____
4		Lucas Campbell	15	Camberwell Grammar Aquatic	1:17.17	_____	_____
5		William Staggard	11	Sandy Bay Swimming Club	1:18.81	_____	_____
6		Ben Hynam	14	Geelong Sharks Swimming Club	1:21.19	_____	_____
7		Bryce Scott	12	Ballarat Gold Swimming Club In	1:23.74	_____	_____
8		Eric Zhou	14	St Leonard's College Swimming	1:26.88	_____	_____
Heat 5 of 6 Timed Finals							
1		Chase Briggs	16	Horsham Swimming Club Inc	1:13.78	_____	_____
2		Lucas Chan	16	Nunawading Swimming Club Inc	1:11.70	_____	_____
3		Sebastian Smith	18	Horsham Swimming Club Inc	1:09.97	_____	_____
4		Andre Talarico	15	Nunawading Swimming Club Inc	1:08.82	_____	_____
5		Oliver Kallio	14	Ballarat Gold Swimming Club In	1:09.43	_____	_____
6		Oscar Magalotti	13	Nunawading Swimming Club Inc	1:11.15	_____	_____
7		Hantang Wang	12	Nunawading Swimming Club Inc	1:13.04	_____	_____
8		Joel Murdoch	14	Nunawading Swimming Club Inc	1:14.29	_____	_____

2024 Ballarat Gold Short Course Meet - 2/06/2024
Meet Program - Afternoon Session

Heat	6	Timed Finals...	(Event	16	Boys 100 SC Meter Back)			
1	Blake Scott		15	Ballarat Gold Swimming Club In	1:06.95			
2	Austin Bartlett		15	Nunawading Swimming Club Inc	1:06.13			
3	Alexander MacRae		18	Camberwell Grammar Aquatic	1:05.42			
4	Tharwin Prarom		15	Nunawading Swimming Club Inc	59.79			
5	Lemuel Junarsa		14	Nunawading Swimming Club Inc	1:01.38			
6	William Tan		15	St Leonard's College Swimming	1:05.65			
7	Oliver Hall		14	Nunawading Swimming Club Inc	1:06.69			
8	Will Frame		14	Nunawading Swimming Club Inc	1:07.33			

Event	17	Girls 200 SC Meter Free						
Lane	Name		Age	Team	Seed Time		Finals	Place

Heat	1 of 4	Timed Finals						
3	Sasha Shukla		8	Ballarat Gold Swimming Club In	NTL			
4	Sophie Lee		10	Kangaroo Flat	NTL			
5	Raya Noakes		10	St Leonard's College Swimming	NTL			

Heat	2 of 4	Timed Finals						
1	Lexi Freestone		12	Yarra Plenty Waves	NTL			
2	Annabel Hanson		13	Firbank Aquastars	NTL			
3	Audrey Hanson		15	Firbank Aquastars	NTL			
4	Abi Jelbart		13	Camberwell Grammar Aquatic	2:55.60L			
5	Ruby Cookson		12	Ballarat Swimming Club Inc	3:00.63			
6	Niamh Napper		14	Surf Coast Swimming Club Inc.	NTL			
7	Clara Powell		12	Ballarat Gold Swimming Club In	NTL			

Heat	3 of 4	Timed Finals						
1	Lily McCormack		11	Ballarat Gold Swimming Club In	2:47.96L			
2	Ellua Boyd		14	Horsham Swimming Club Inc	2:38.71			
3	Aurelia Wallace		13	Firbank Aquastars	2:32.36			
4	Ruth Whelan		12	Camberwell Grammar Aquatic	2:30.42			
5	Keila Enters		14	Nunawading Swimming Club Inc	2:31.22			
6	Isabelle Thornborrow		11	Firbank Aquastars	2:38.10			
7	Evie Lee		14	Geelong Swimming Club Incorpor	2:43.54			
8	Natalia Muisen-Khoury		14	Geelong Sharks Swimming Club	2:51.78L			

Heat	4 of 4	Timed Finals						
1	Charlotte Matthews		17	Gisborne Thunder Swimming Club	2:25.07			
2	Sophie Petric		15	Nunawading Swimming Club Inc	2:23.12			
3	Lucy Dolan		12	St Leonard's College Swimming	2:20.76			
4	Lucy Doyle		14	Nunawading Swimming Club Inc	2:11.00			
5	Olivia To		14	Nunawading Swimming Club Inc	2:19.54			
6	Mary Steele		13	St Leonard's College Swimming	2:22.31			
7	Abigail Bracken		16	Firbank Aquastars	2:24.66			
8	Isabel Neeson		13	Surrey Park Swimming Club Inc	2:29.33			

Event	18	Boys 200 SC Meter Free						
Lane	Name		Age	Team	Seed Time		Finals	Place

Heat	1 of 4	Timed Finals						
3	Jacob Routley		13	Geelong Swimming Club Incorpor	NTL			
4	Sebastian Gonzalez		12	Ballarat Gold Swimming Club In	3:33.52L			
5	Bill Wang		14	Camberwell Grammar Aquatic	NTL			

Heat	2 of 4	Timed Finals						
2	Lachlan Henderson		11	St Leonard's College Swimming	3:01.53L			
3	Sebastian Chambers		13	Geelong Swimming Club Incorpor	2:45.53L			
4	Marco French		14	Camberwell Grammar Aquatic	2:37.08			
5	Graidey Masiero		13	Kangaroo Flat	2:43.03L			
6	Adam Conway		13	Ballarat Gold Swimming Club In	2:48.89L			
7	Jayden Lim		12	Ballarat Gold Swimming Club In	3:00.49			

2024 Ballarat Gold Short Course Meet - 2/06/2024
Meet Program - Afternoon Session

Heat	Lane	Name	Age	Team	Seed Time	Finals	Place
Heat 3 Timed Finals... (Event 18 Boys 200 SC Meter Free)							
1		Maxim Hocking	13	Ballarat Gold Swimming Club In	2:37.68L	_____	_____
2		Jesse Pratt	13	Firbank Aquastars	2:29.17	_____	_____
3		Aiden Ramos	13	Nunawading Swimming Club Inc	2:24.49	_____	_____
4		Cade Faulkner	13	Camberwell Grammar Aquatic	2:17.43	_____	_____
5		Hantang Wang	12	Nunawading Swimming Club Inc	2:20.10	_____	_____
6		Ben Hynam	14	Geelong Sharks Swimming Club	2:30.78L	_____	_____
7		Leander Reichenbach	12	Camberwell Grammar Aquatic	2:37.25L	_____	_____
8		Max Ravisa	13	Ballarat Gold Swimming Club In	2:38.87L	_____	_____
Heat 4 of 4 Timed Finals							
1		Louis Mcllveney	14	St Leonard's College Swimming	2:14.00	_____	_____
2		Harry Luo	15	Nunawading Swimming Club Inc	2:07.36	_____	_____
3		Harry Heath	15	Nunawading Swimming Club Inc	1:58.66	_____	_____
4		William Tan	15	St Leonard's College Swimming	1:58.34	_____	_____
5		Oliver McCormack	15	Ballarat Gold Swimming Club In	1:58.59	_____	_____
6		Kevin Huang	16	Ballarat Gold Swimming Club In	2:02.77	_____	_____
7		William Smith	17	Firbank Aquastars	2:11.83	_____	_____
8		Ethan Jihong Lee	13	Camberwell Grammar Aquatic	2:15.72	_____	_____
Event 19 Girls 50 SC Meter Breast							
Heat 1 of 8 Timed Finals							
1		Evie Spolding	10	Geelong Swimming Club Incorpor	NTL	_____	_____
2		Madeline Barnes	11	Geelong Swimming Club Incorpor	NTL	_____	_____
3		Aria O'Meara	10	Geelong Swimming Club Incorpor	1:16.27	_____	_____
4		Camila Gonzalez-Zhu	9	Ballarat Gold Swimming Club In	1:08.81	_____	_____
5		Martha Grace	9	Geelong Swimming Club Incorpor	1:14.83	_____	_____
6		Matilda Thomas	12	Geelong Swimming Club Incorpor	NTL	_____	_____
7		Edwina Eltringham	10	Geelong Swimming Club Incorpor	NTL	_____	_____
Heat 2 of 8 Timed Finals							
1		Imogen Wilkins	10	Geelong Swimming Club Incorpor	1:06.86L	_____	_____
2		Abigail Tickell	9	Ballarat Gold Swimming Club In	1:03.57L	_____	_____
3		Isabel Rieniets	11	Ballarat Swimming Club Inc	1:01.50	_____	_____
4		Winter Neil	10	Ballarat Gold Swimming Club In	1:00.99	_____	_____
5		Ariana Edwards	10	Ballarat Gold Swimming Club In	1:02.23L	_____	_____
6		Isabella Juric	9	Kangaroo Flat	1:02.22	_____	_____
7		Isabel Meneses Lopez	10	Ballarat Gold Swimming Club In	1:04.92	_____	_____
8		Lindi Greeff	8	Ballarat Swimming Club Inc	1:08.66	_____	_____
Heat 3 of 8 Timed Finals							
1		Charlotte Whitehouse	12	Firbank Aquastars	1:00.58	_____	_____
2		Charlotte Marsh	11	Geelong Swimming Club Incorpor	56.55	_____	_____
3		Elizabeth Walter	12	Firbank Aquastars	55.33	_____	_____
4		Penelope Roberts	11	Kangaroo Flat	54.63	_____	_____
5		Iris Grace	11	Geelong Swimming Club Incorpor	55.29	_____	_____
6		Lily Jovceski	8	Essendon District Aquatic	56.49	_____	_____
7		Zarah Hassan	11	Ballarat Gold Swimming Club In	58.07L	_____	_____
8		Shae O'Callaghan	11	Ballarat Gold Swimming Club In	1:00.88	_____	_____
Heat 4 of 8 Timed Finals							
1		Charlotte Rieniets	10	Ballarat Swimming Club Inc	53.57	_____	_____
2		Isabella Scullion	10	Ballarat Gold Swimming Club In	54.50L	_____	_____
3		Ondine Smith	12	Hamilton Olympic Swimming Club	52.07	_____	_____
4		Camila Meneses Lopez	11	Ballarat Gold Swimming Club In	50.85	_____	_____
5		Nellie Gray	9	Geelong Swimming Club Incorpor	52.03L	_____	_____
6		Estelle Karlake	12	Ballarat Gco Swimming Club Inc	53.07	_____	_____
7		Annabel Bartlett	11	Firbank Aquastars	53.47	_____	_____
8		Penny Rampton	10	Ballarat Swimming Club Inc	53.82	_____	_____

2024 Ballarat Gold Short Course Meet - 2/06/2024
Meet Program - Afternoon Session

Heat	Lane	Name	Age	Team	Seed Time	Finals	Place
Event 19 Girls 50 SC Meter Breast							
Heat 5	Timed Finals...						
1		Juliette Mason	14	Geelong Swimming Club Incorpor	49.74	_____	_____
2		Junqing Cao	11	Ballarat Gold Swimming Club In	49.49	_____	_____
3		Dior O'Callaghan	14	Ballarat Gold Swimming Club In	48.93	_____	_____
4		Claire Baker	11	Ballarat Gco Swimming Club Inc	48.69	_____	_____
5		Poppy Ann Shepherd	12	Ballarat Gold Swimming Club In	48.73	_____	_____
6		Olivia Lu	13	Firbank Aquastars	50.43L	_____	_____
7		Amber McCreddan	18	Hamilton Olympic Swimming Club	49.63	_____	_____
8		Adela Ren	9	Ivanhoe Aqua Power Swimming Cl	49.99	_____	_____
Heat 6 of 8	Timed Finals						
1		Abi Jelbart	13	Camberwell Grammar Aquatic	48.14L	_____	_____
2		Audrey Hanson	15	Firbank Aquastars	46.39	_____	_____
3		Isabella Till	16	Ballarat Gco Swimming Club Inc	45.89	_____	_____
4		Michaela Maddams	12	St Leonard's College Swimming	45.74	_____	_____
5		Poppy White	13	Horsham Swimming Club Inc	45.80	_____	_____
6		Lois Scruby	11	Ballarat Gold Swimming Club In	46.29	_____	_____
7		Sophie-May Ronzani	13	Camberwell Grammar Aquatic	47.55L	_____	_____
8		Claire Brown	13	Firbank Aquastars	47.88	_____	_____
Heat 7 of 8	Timed Finals						
1		Lauren Davenport	11	Bendigo East Swimming Club	44.31	_____	_____
2		Audrey Lee See	12	Camberwell Grammar Aquatic	43.57	_____	_____
3		Taylah Costello	12	Ballarat Gold Swimming Club In	42.07	_____	_____
4		Claire Mathison	15	Ballarat Gold Swimming Club In	40.73	_____	_____
5		Guoran Huang	13	Camberwell Grammar Aquatic	42.02	_____	_____
6		Gabi Yang	15	Camberwell Grammar Aquatic	42.78	_____	_____
7		Jordan Camfield	11	Geelong Swimming Club Incorpor	43.97	_____	_____
8		Georgie Kennett	9	Ballarat Gold Swimming Club In	45.54	_____	_____
Heat 8 of 8	Timed Finals						
1		Charlotte Kelly	13	Firbank Aquastars	40.53	_____	_____
2		Scarlet Gilmour	13	Geelong Swimming Club Incorpor	38.79	_____	_____
3		Lucy Dolan	12	St Leonard's College Swimming	38.83L	_____	_____
4		Leona Loh-Hermans	13	Nunawading Swimming Club Inc	35.50	_____	_____
5		Jiyoo Seo	15	Nunawading Swimming Club Inc	35.75	_____	_____
6		Sophie Turanyik	14	St Leonard's College Swimming	38.46	_____	_____
7		Anna Leighton	24	Ballarat Gold Swimming Club In	39.28	_____	_____
8		Jamie de Borzatti	13	Nunawading Swimming Club Inc	40.55	_____	_____
Event 20	Boys 50 SC Meter Breast						
Heat 1 of 7	Timed Finals						
3		Samar Budhiraja	8	Hume City Swimming Club Inc	NTL	_____	_____
4		Phoenix Aldersley	11	Geelong Swimming Club Incorpor	NTL	_____	_____
5		Ethan Hill	9	Geelong Swimming Club Incorpor	NTL	_____	_____
Heat 2 of 7	Timed Finals						
2		Thomas Bruce	13	Ballarat Gold Swimming Club In	NTL	_____	_____
3		Edward Valentan	11	Ballarat Swimming Club Inc	1:10.70L	_____	_____
4		Darby Blackwell	10	Seymour & District Amateur Swi	58.74	_____	_____
5		Sonny Finn Shepherd	10	Ballarat Gold Swimming Club In	1:00.49	_____	_____
6		Sidney Bartlett	14	Firbank Aquastars	NT	_____	_____
7		Ethan Bruce	13	Ballarat Gold Swimming Club In	NTL	_____	_____

2024 Ballarat Gold Short Course Meet - 2/06/2024
Meet Program - Afternoon Session

Heat	Lane	Name	Age	Team	Seed Time	Finals	Place
Heat 3 Timed Finals... (Event 20 Boys 50 SC Meter Breast)							
1		Cohan Morgan	9	Ballarat Gold Swimming Club In	56.67	_____	_____
2		Matthew Swanton	12	Ballarat Gold Swimming Club In	52.24	_____	_____
3		Shengmin Han	9	Geelong Swimming Club Incorpor	51.93	_____	_____
4		Martin Ma	10	Ballarat Gold Swimming Club In	51.25	_____	_____
5		Henry Beechey	13	Ballarat Gold Swimming Club In	51.64	_____	_____
6		Joseph Scruby	9	Ballarat Gold Swimming Club In	53.20L	_____	_____
7		James Davenport	10	Bendigo East Swimming Club	53.25	_____	_____
8		Fletcher Stanley	9	Geelong Swimming Club Incorpor	59.20L	_____	_____
Heat 4 of 7 Timed Finals							
1		Riley O'Callaghan	15	Ballarat Gold Swimming Club In	50.15	_____	_____
2		Lachlan Henderson	11	St Leonard's College Swimming	49.78	_____	_____
3		Owen Barnes	11	Bendigo East Swimming Club	49.38	_____	_____
4		Andy Zhou	10	St Leonard's College Swimming	47.91	_____	_____
5		Jesse Welsh	12	Firbank Aquastars	48.56	_____	_____
6		Rrig Sharma	11	Melbourne Swimming Club	50.71L	_____	_____
7		Sam Hevey	13	Firbank Aquastars	49.98	_____	_____
8		Raymond Wang	12	Colac Swimming Club	50.72	_____	_____
Heat 5 of 7 Timed Finals							
1		Henry Garland	12	St Leonard's College Swimming	46.88	_____	_____
2		Flynn Dodson	12	Horsham Swimming Club Inc	46.25	_____	_____
3		Charlie Tickell	12	Ballarat Gold Swimming Club In	45.48	_____	_____
4		Andy Jiang	13	Firbank Aquastars	45.39	_____	_____
5		Benjamin Sharpe	12	Camberwell Grammar Aquatic	45.45	_____	_____
6		Jack Lomax	11	Seymour & District Amateur Swi	45.72	_____	_____
7		Aiden Ramos	13	Nunawading Swimming Club Inc	46.78	_____	_____
8		Reuben Greeff	10	Ballarat Swimming Club Inc	47.64	_____	_____
Heat 6 of 7 Timed Finals							
1		George Zheng	10	Yarra Plenty Waves	43.58	_____	_____
2		William Staggard	11	Sandy Bay Swimming Club	42.69	_____	_____
3		Isaac Hoyne	15	Firbank Aquastars	40.31	_____	_____
4		Joel Murdoch	14	Nunawading Swimming Club Inc	37.22	_____	_____
5		Sicheng Wang	13	Camberwell Grammar Aquatic	39.01	_____	_____
6		Jack de Fina-Nash	11	Firbank Aquastars	42.92L	_____	_____
7		Feng Yang Sun	14	Firbank Aquastars	43.57	_____	_____
8		Aaron Skinner	32	Geelong Sharks Swimming Club	44.73	_____	_____
Heat 7 of 7 Timed Finals							
1		Andre Talarico	15	Nunawading Swimming Club Inc	34.93	_____	_____
2		Jack Lanyon	17	Ballarat Gold Swimming Club In	34.06	_____	_____
3		Haydn Lowe	16	Blue Lake Y	32.80	_____	_____
4		Dayne Schnyder	18	Ballarat Gold Swimming Club In	30.18	_____	_____
5		Tom Urquhart	16	Ballarat Gold Swimming Club In	31.44	_____	_____
6		William Lewis	16	Nunawading Swimming Club Inc	33.43	_____	_____
7		Cameron Dole	56	Ballarat Gco Swimming Club Inc	34.91	_____	_____
8		Thomas Neylan	15	Nunawading Swimming Club Inc	35.65	_____	_____
Event 21 Girls 100 SC Meter IM							
Heat 1 of 10 Timed Finals							
3		Adela Ren	9	Ivanhoe Aqua Power Swimming Cl	NTL	_____	_____
4		Edwina Eltringham	10	Geelong Swimming Club Incorpor	NTL	_____	_____
5		Imogen Wilkins	10	Geelong Swimming Club Incorpor	NTL	_____	_____
6		Lily Jovceski	8	Essendon District Aquatic	NTL	_____	_____

2024 Ballarat Gold Short Course Meet - 2/06/2024
Meet Program - Afternoon Session

Heat	2	Timed Finals...	(Event	21	Girls 100 SC Meter IM)			
1	Ella Featherston		11	Ballarat Gold Swimming Club In		NTL	_____	_____
2	Annabel Bartlett		11	Firbank Aquastars		NTL	_____	_____
3	Lexi Freestone		12	Yarra Plenty Waves		NTL	_____	_____
4	Zoe Bruce		12	Geelong Swimming Club Incorpor		NTL	_____	_____
5	Estelle Karlake		12	Ballarat Gco Swimming Club Inc		NTL	_____	_____
6	Charlotte Marsh		11	Geelong Swimming Club Incorpor		NTL	_____	_____
7	Liwen Niu		11	Geelong Swimming Club Incorpor		NTL	_____	_____
8	Winter Neil		10	Ballarat Gold Swimming Club In		NTL	_____	_____
Heat	3 of 10	Timed Finals						
1	Ella Weber		13	Firbank Aquastars		NTL	_____	_____
2	Claire Brown		13	Firbank Aquastars		NTL	_____	_____
3	Dior O'Callaghan		14	Ballarat Gold Swimming Club In		NTL	_____	_____
4	Jade Hayward		12	Kangaroo Flat		1:50.07	_____	_____
5	Iris Grace		11	Geelong Swimming Club Incorpor		1:59.28	_____	_____
6	Samirah Hassan		13	Ballarat Gold Swimming Club In		NTL	_____	_____
7	Charlotte Kelly		13	Firbank Aquastars		NTL	_____	_____
8	Olivia Lu		13	Firbank Aquastars		NTL	_____	_____
Heat	4 of 10	Timed Finals						
1	Mia Gray		14	Firbank Aquastars		1:44.27	_____	_____
2	Eva Robertson		14	Ballarat Gold Swimming Club In		1:40.16	_____	_____
3	Annabel Hanson		13	Firbank Aquastars		1:39.28	_____	_____
4	Zarah Gilmour		11	Geelong Swimming Club Incorpor		1:36.10	_____	_____
5	Camila Meneses Lopez		11	Ballarat Gold Swimming Club In		1:39.20	_____	_____
6	Clara Powell		12	Ballarat Gold Swimming Club In		1:39.86	_____	_____
7	Ondine Smith		12	Hamilton Olympic Swimming Club		1:42.54	_____	_____
8	Isabelle Thornborrow		11	Firbank Aquastars		1:44.42	_____	_____
Heat	5 of 10	Timed Finals						
1	Jordan Camfield		11	Geelong Swimming Club Incorpor		1:35.05	_____	_____
2	Stella McIntosh		11	Bendigo East Swimming Club		1:33.48	_____	_____
3	Bridie Steele		11	St Leonard's College Swimming		1:32.13	_____	_____
4	Matilda Young		13	Ringwood Swimming Club Inc		1:28.76	_____	_____
5	Ava Neill		13	Melbourne Swimming Club		1:29.55	_____	_____
6	Grace Cofield		11	Ballarat Gold Swimming Club In		1:33.01	_____	_____
7	Charlotte Rieniets		10	Ballarat Swimming Club Inc		1:34.93	_____	_____
8	Michaela Maddams		12	St Leonard's College Swimming		1:35.11	_____	_____
Heat	6 of 10	Timed Finals						
1	Sophia Griffith		14	Firbank Aquastars		1:28.45	_____	_____
2	Claire Baker		11	Ballarat Gco Swimming Club Inc		1:28.24	_____	_____
3	Yvette Hoyne		13	Firbank Aquastars		1:27.11	_____	_____
4	Amelia Wilson		12	Ballarat Gco Swimming Club Inc		1:26.68	_____	_____
5	Rania Ramsay		13	Firbank Aquastars		1:26.97	_____	_____
6	Natalia Muisen-Khoury		14	Geelong Sharks Swimming Club		1:27.46	_____	_____
7	Matilda Noonan		14	Camberwell Grammar Aquatic		1:28.30	_____	_____
8	Georgie Kennett		9	Ballarat Gold Swimming Club In		1:28.71	_____	_____
Heat	7 of 10	Timed Finals						
1	Georgie Vague		14	Geelong Swimming Club Incorpor		1:23.79	_____	_____
2	Emily Jellie		17	Hamilton Olympic Swimming Club		1:22.58	_____	_____
3	Leah Ross		16	Ballarat Gold Swimming Club In		1:22.41	_____	_____
4	Macy Lee		16	Geelong Swimming Club Incorpor		1:21.88	_____	_____
5	Nina Sutherland		13	Ballarat Gold Swimming Club In		1:22.12	_____	_____
6	Ellua Boyd		14	Horsham Swimming Club Inc		1:22.41	_____	_____
7	Aurelia Wallace		13	Firbank Aquastars		1:23.30	_____	_____
8	Phoebe Scarff		13	Firbank Aquastars		1:24.99	_____	_____

2024 Ballarat Gold Short Course Meet - 2/06/2024
Meet Program - Afternoon Session

Heat	Lane	Name	Age	Team	Seed Time	Finals	Place
Heat 8 Timed Finals... (Event 21 Girls 100 SC Meter IM)							
1		Neve Harrison	12	Ballarat Gold Swimming Club In	1:21.07	_____	_____
2		Sophia Beaton	13	Ballarat Gold Swimming Club In	1:20.65	_____	_____
3		Hollie Watson	13	Bendigo East Swimming Club	1:20.26	_____	_____
4		Emily Doyle	16	Nunawading Swimming Club Inc	1:18.54	_____	_____
5		Isabel Neeson	13	Surrey Park Swimming Club Inc	1:19.67	_____	_____
6		Ruby Morgan	13	Firbank Aquastars	1:20.50	_____	_____
7		Keira Stubbings	11	Camberwell Grammar Aquatic	1:20.95	_____	_____
8		Ania Siedlaczek	37	Ballarat Swimming Club Inc	1:21.26	_____	_____
Heat 9 of 10 Timed Finals							
1		Sophie Petric	15	Nunawading Swimming Club Inc	1:17.68	_____	_____
2		Keila Enters	14	Nunawading Swimming Club Inc	1:17.43	_____	_____
3		Hayley Jellie	17	Hamilton Olympic Swimming Club	1:15.91	_____	_____
4		Olivia To	14	Nunawading Swimming Club Inc	1:14.96	_____	_____
5		Weylen Truong	14	Nunawading Swimming Club Inc	1:15.62	_____	_____
6		Eve Pahos	14	Camberwell Grammar Aquatic	1:17.19	_____	_____
7		Ella Irvine	15	Nunawading Swimming Club Inc	1:17.54	_____	_____
8		Angela Harnden	15	St Leonard's College Swimming	1:18.45	_____	_____
Heat 10 of 10 Timed Finals							
1		Isabella Richardson	16	Nunawading Swimming Club Inc	1:14.43	_____	_____
2		Jeongmin Abrielle Won	14	Nunawading Swimming Club Inc	1:12.71	_____	_____
3		Lily Chan	14	Nunawading Swimming Club Inc	1:10.77	_____	_____
4		Annie Steele	15	St Leonard's College Swimming	1:03.27	_____	_____
5		Zahra Olowoniyi	14	Nunawading Swimming Club Inc	1:06.56	_____	_____
6		Kayla Sautner	16	Nunawading Swimming Club Inc	1:11.43	_____	_____
7		Madison Brown	14	Nunawading Swimming Club Inc	1:14.11	_____	_____
8		Amelie Crellin	16	Nunawading Swimming Club Inc	1:14.76	_____	_____
Event 22 Boys 100 SC Meter IM							
Heat	Lane	Name	Age	Team	Seed Time	Finals	Place
Heat 1 of 8 Timed Finals							
1		Austin Bartlett	15	Nunawading Swimming Club Inc	1:04.82	_____	_____
2		William Tan	15	St Leonard's College Swimming	1:03.80	_____	_____
3		Dayne Schnyder	18	Ballarat Gold Swimming Club In	1:02.38	_____	_____
4		Tharwin Prarom	15	Nunawading Swimming Club Inc	59.91	_____	_____
5		Edward Meddings	17	Ballarat Gold Swimming Club In	1:00.43	_____	_____
6		Harry Luo	15	Nunawading Swimming Club Inc	1:03.80	_____	_____
7		Haydn Lowe	16	Blue Lake Y	1:03.85	_____	_____
8		Lucas Chan	16	Nunawading Swimming Club Inc	1:04.87	_____	_____
Heat 2 of 8 Timed Finals							
1		Chase Briggs	16	Horsham Swimming Club Inc	1:09.62	_____	_____
2		Marley Sutherland	15	Ballarat Gold Swimming Club In	1:09.10	_____	_____
3		Ryan Martin	14	Nunawading Swimming Club Inc	1:07.93	_____	_____
4		Lemuel Junarsa	14	Nunawading Swimming Club Inc	1:04.90	_____	_____
5		Bryan Wong	16	Nunawading Swimming Club Inc	1:05.46	_____	_____
6		Miller Stott	15	Ballarat Gold Swimming Club In	1:08.87	_____	_____
7		Thomas Costello	15	Ballarat Gold Swimming Club In	1:09.49	_____	_____
8		Alexander MacRae	18	Camberwell Grammar Aquatic	1:09.93	_____	_____
Heat 3 of 8 Timed Finals							
1		George Kitson	12	Geelong Swimming Club Incorpor	1:21.77	_____	_____
2		Ethan Jihong Lee	13	Camberwell Grammar Aquatic	1:16.19	_____	_____
3		Will Frame	14	Nunawading Swimming Club Inc	1:15.51	_____	_____
4		Ji Xuan Song	14	Nunawading Swimming Club Inc	1:11.02	_____	_____
5		Cade Faulkner	13	Camberwell Grammar Aquatic	1:12.69	_____	_____
6		Oliver Kallio	14	Ballarat Gold Swimming Club In	1:15.65	_____	_____
7		Sicheng Wang	13	Camberwell Grammar Aquatic	1:21.48	_____	_____
8		Jesse Pratt	13	Firbank Aquastars	1:21.96	_____	_____

2024 Ballarat Gold Short Course Meet - 2/06/2024
Meet Program - Afternoon Session

Heat	Lane	Name	Age	Team	Seed Time	Finals	Place
Heat 4 Timed Finals... (Event 22 Boys 100 SC Meter IM)							
1		Dichen Huang	14	Ballarat Swimming Club Inc	1:26.63	_____	_____
2		Andrius Bruozis	14	Geelong Swimming Club Incorpor	1:24.44	_____	_____
3		Max Ravisa	13	Ballarat Gold Swimming Club In	1:22.92	_____	_____
4		Hugo Henderson	14	St Leonard's College Swimming	1:22.01	_____	_____
5		Ben Hynam	14	Geelong Sharks Swimming Club	1:22.65	_____	_____
6		Jock Liberts	14	Geelong Sharks Swimming Club	1:23.00	_____	_____
7		Sebastian Chambers	13	Geelong Swimming Club Incorpor	1:24.71	_____	_____
8		Logan Brundell	11	Ballarat Gco Swimming Club Inc	1:27.31	_____	_____
Heat 5 of 8 Timed Finals							
1		Shengmin Han	9	Geelong Swimming Club Incorpor	1:36.28	_____	_____
2		Eoin Whelan	10	Camberwell Grammar Aquatic	1:33.59	_____	_____
3		Charlie Tickell	12	Ballarat Gold Swimming Club In	1:29.58	_____	_____
4		Shengyu Han	12	Geelong Swimming Club Incorpor	1:27.38	_____	_____
5		Owen Barnes	11	Bendigo East Swimming Club	1:28.85	_____	_____
6		Martin Ma	10	Ballarat Gold Swimming Club In	1:31.43	_____	_____
7		Riley O'Callaghan	15	Ballarat Gold Swimming Club In	1:33.86	_____	_____
8		Jude Harrison	10	Ballarat Gold Swimming Club In	1:36.73	_____	_____
Heat 6 of 8 Timed Finals							
1		Sebastian Smith	18	Horsham Swimming Club Inc	NTL	_____	_____
2		Rrig Sharma	11	Melbourne Swimming Club	1:51.40	_____	_____
3		Darby Blackwell	10	Seymour & District Amateur Swi	1:38.53	_____	_____
4		Jack Lomax	11	Seymour & District Amateur Swi	1:37.30	_____	_____
5		Miles Ma Sing	11	St Leonard's College Swimming	1:37.33	_____	_____
6		Matthew Rieniets	10	Ballarat Swimming Club Inc	1:42.09	_____	_____
7		Aiden Lin	7	Ivanhoe Aqua Power Swimming Cl	2:27.10	_____	_____
8		Sidney Bartlett	14	Firbank Aquastars	NT	_____	_____
Heat 7 of 8 Timed Finals							
1		Edward Valentan	11	Ballarat Swimming Club Inc	NTL	_____	_____
2		Henry Garland	12	St Leonard's College Swimming	NTL	_____	_____
3		Lachlan Griplas	13	St Leonard's College Swimming	NTL	_____	_____
4		Aiden Tang	13	St Leonard's College Swimming	NTL	_____	_____
5		Andy Jiang	13	Firbank Aquastars	NTL	_____	_____
6		Arlo McHugh	12	Geelong Swimming Club Incorpor	NTL	_____	_____
7		Lachlan Mifsud	12	Warrnambool Swimming Club	NTL	_____	_____
8		Cohan Morgan	9	Ballarat Gold Swimming Club In	NTL	_____	_____
Heat 8 of 8 Timed Finals							
3		Oliver Young	9	Geelong Swimming Club Incorpor	NTL	_____	_____
4		Fletcher Stanley	9	Geelong Swimming Club Incorpor	NT	_____	_____
5		Kallen Ye	9	Ivanhoe Aqua Power Swimming Cl	NTL	_____	_____
Event 23 Mixed 200 SC Meter Fly							
Heat 1 of 1 Timed Finals							
2		Tom Urquhart	M16	Ballarat Gold Swimming Club In	NTL	_____	_____
3		Isla Ho	W16	Ballarat Gold Swimming Club In	2:31.70	_____	_____
4		Lewis Gee	M15	Nunawading Swimming Club Inc	2:23.65L	_____	_____
5		Oscar Magalotti	M13	Nunawading Swimming Club Inc	2:31.38	_____	_____
6		Arjun Chahal	M13	Nunawading Swimming Club Inc	2:57.84	_____	_____
7		Miller Stott	M15	Ballarat Gold Swimming Club In	NTL	_____	_____
Event 24 Girls 50 SC Meter Free							
Heat 1 of 15 Timed Finals							
3		Sasha Shukla	8	Ballarat Gold Swimming Club In	NTL	_____	_____
4		Iesha Laxton	12	Ballarat Gold Swimming Club In	NTL	_____	_____
5		Edwina Eltringham	10	Geelong Swimming Club Incorpor	NTL	_____	_____

2024 Ballarat Gold Short Course Meet - 2/06/2024
Meet Program - Afternoon Session

Heat	2	Timed Finals...	(Event	24	Girls 50 SC Meter Free)			
	2	Martha Grace		9	Geelong Swimming Club Incorpor	1:00.00		
	3	Isabel Meneses Lopez		10	Ballarat Gold Swimming Club In	55.12		
	4	Isabella Scullion		10	Ballarat Gold Swimming Club In	52.65L		
	5	Camila Gonzalez-Zhu		9	Ballarat Gold Swimming Club In	52.89		
	6	Evie Spolding		10	Geelong Swimming Club Incorpor	59.77L		
	7	Violet Bramley		12	Camberwell Grammar Aquatic	NTL		
Heat	3 of 15	Timed Finals						
	1	Abigail Tickell		9	Ballarat Gold Swimming Club In	51.33L		
	2	Peyton Muisen-Khoury		11	Geelong Sharks Swimming Club	47.28		
	3	Imogen Wilkins		10	Geelong Swimming Club Incorpor	47.71L		
	4	Madeline Barnes		11	Geelong Swimming Club Incorpor	46.30L		
	5	Ariana Edwards		10	Ballarat Gold Swimming Club In	47.66L		
	6	Lindi Greeff		8	Ballarat Swimming Club Inc	47.09		
	7	Winter Neil		10	Ballarat Gold Swimming Club In	49.20		
	8	Aria O'Meara		10	Geelong Swimming Club Incorpor	50.41		
Heat	4 of 15	Timed Finals						
	1	Isabel Rieniets		11	Ballarat Swimming Club Inc	45.00		
	2	Amelia Thomson		9	Ballarat Swimming Club Inc	43.85		
	3	Charlotte Whitehouse		12	Firbank Aquastars	43.20		
	4	Zarah Hassan		11	Ballarat Gold Swimming Club In	42.58L		
	5	Charlotte Marsh		11	Geelong Swimming Club Incorpor	43.95L		
	6	Lily Jovceski		8	Essendon District Aquatic	43.26		
	7	Matilda Thomas		12	Geelong Swimming Club Incorpor	45.44L		
	8	Dior O'Callaghan		14	Ballarat Gold Swimming Club In	45.21		
Heat	5 of 15	Timed Finals						
	1	Elizabeth Walter		12	Firbank Aquastars	41.58		
	2	Mia Gray		14	Firbank Aquastars	40.51		
	3	Abi Jelbart		13	Camberwell Grammar Aquatic	40.62L		
	4	Estelle Karlake		12	Ballarat Gco Swimming Club Inc	39.39		
	5	Raya Noakes		10	St Leonard's College Swimming	40.20L		
	6	Isabella Juric		9	Kangaroo Flat	39.82		
	7	Junqing Cao		11	Ballarat Gold Swimming Club In	41.10		
	8	Iris Grace		11	Geelong Swimming Club Incorpor	41.71		
Heat	6 of 15	Timed Finals						
	1	Adela Ren		9	Ivanhoe Aqua Power Swimming Cl	39.22		
	2	Annabel Bartlett		11	Firbank Aquastars	39.10		
	3	Milly Jelbart		11	Camberwell Grammar Aquatic	39.17L		
	4	Jordan Camfield		11	Geelong Swimming Club Incorpor	38.07		
	5	Ondine Smith		12	Hamilton Olympic Swimming Club	38.33		
	6	Nellie Gray		9	Geelong Swimming Club Incorpor	39.81L		
	7	Penny Rampton		10	Ballarat Swimming Club Inc	39.21		
	8	Ruby Cookson		12	Ballarat Swimming Club Inc	39.38		
Heat	7 of 15	Timed Finals						
	1	Charlotte Rieniets		10	Ballarat Swimming Club Inc	37.63		
	2	Kiera Butterworth		13	Ballarat Gold Swimming Club In	37.19		
	3	Poppy White		13	Horsham Swimming Club Inc	36.99		
	4	Olivia Lu		13	Firbank Aquastars	37.40L		
	5	Audrey Hanson		15	Firbank Aquastars	36.77		
	6	Sienna Seater		12	Ballarat Gold Swimming Club In	37.13		
	7	Shae O'Callaghan		11	Ballarat Gold Swimming Club In	37.62		
	8	Amelia Alford		15	Melton Swimming Club Inc	38.59L		

2024 Ballarat Gold Short Course Meet - 2/06/2024
Meet Program - Afternoon Session

Heat	8	Timed Finals...	(Event	24	Girls 50 SC Meter Free)			
1	Matilda Biberow		12	Melbourne Swimming Club	36.28			
2	Michaela Maddams		12	St Leonard's College Swimming	36.13			
3	Poppy Ann Shepherd		12	Ballarat Gold Swimming Club In	35.81			
4	Penny Conway		12	Ballarat Gold Swimming Club In	35.91L			
5	Guoran Huang		13	Camberwell Grammar Aquatic	35.34			
6	Grace Cofield		11	Ballarat Gold Swimming Club In	35.94			
7	Claire Brown		13	Firbank Aquastars	36.20			
8	Penelope Roberts		11	Kangaroo Flat	36.48			
Heat	9 of 15	Timed Finals						
1	Lily McCormack		11	Ballarat Gold Swimming Club In	34.56			
2	Juliette Mason		14	Geelong Swimming Club Incorpor	34.37			
3	Bridie Steele		11	St Leonard's College Swimming	34.09			
4	Matilda Young		13	Ringwood Swimming Club Inc	33.66			
5	Sophia Beaton		13	Ballarat Gold Swimming Club In	34.04			
6	Samirah Hassan		13	Ballarat Gold Swimming Club In	34.77L			
7	Amber McCreddan		18	Hamilton Olympic Swimming Club	34.45			
8	Gabi Yang		15	Camberwell Grammar Aquatic	34.72			
Heat	10 of 15	Timed Finals						
1	Charlotte McConvill		13	Bendigo Hawks Aquatic	33.45			
2	Sophia Griffith		14	Firbank Aquastars	33.00			
3	Audrey Lee See		12	Camberwell Grammar Aquatic	32.91			
4	Claire Baker		11	Ballarat Gco Swimming Club Inc	32.82			
5	Georgie Kennett		9	Ballarat Gold Swimming Club In	32.88			
6	Leah Ross		16	Ballarat Gold Swimming Club In	32.97			
7	Stella McIntosh		11	Bendigo East Swimming Club	33.27			
8	Sophie-May Ronzani		13	Camberwell Grammar Aquatic	34.32L			
Heat	11 of 15	Timed Finals						
1	Eden Chia		13	Camberwell Grammar Aquatic	32.96L			
2	Lois Scruby		11	Ballarat Gold Swimming Club In	32.02			
3	Ellua Boyd		14	Horsham Swimming Club Inc	31.90			
4	Matilda Noonan		14	Camberwell Grammar Aquatic	31.80			
5	Angela Harnden		15	St Leonard's College Swimming	31.86			
6	Ruth Whelan		12	Camberwell Grammar Aquatic	31.99			
7	Nina Sutherland		13	Ballarat Gold Swimming Club In	32.03			
8	Ella Featherston		11	Ballarat Gold Swimming Club In	32.67			
Heat	12 of 15	Timed Finals						
1	Sarah Howe		19	Ballarat Gold Swimming Club In	31.50			
2	Ania Siedlaczek		37	Ballarat Swimming Club Inc	31.34			
3	Anna Leighton		24	Ballarat Gold Swimming Club In	31.18			
4	Ruby Morgan		13	Firbank Aquastars	30.74			
5	Taylah Costello		12	Ballarat Gold Swimming Club In	31.13			
6	Keira Stubbings		11	Camberwell Grammar Aquatic	31.19			
7	Ava Neill		13	Melbourne Swimming Club	31.35			
8	Tess Kelly		16	Gisborne Thunder Swimming Club	31.71			
Heat	13 of 15	Timed Finals						
1	Isla Hassett		16	Geelong Swimming Club Incorpor	30.62			
2	Isabella Till		16	Ballarat Gco Swimming Club Inc	30.44			
3	Eve Pahos		14	Camberwell Grammar Aquatic	29.97			
4	Elle Cofield		15	Ballarat Gold Swimming Club In	29.92			
5	Lucy Dolan		12	St Leonard's College Swimming	29.95			
6	Lauren Davenport		11	Bendigo East Swimming Club	30.34			
7	Matilda Gillespie		15	Ballarat Gold Swimming Club In	31.22L			
8	Scarlet Gilmour		13	Geelong Swimming Club Incorpor	30.63			

2024 Ballarat Gold Short Course Meet - 2/06/2024
Meet Program - Afternoon Session

Heat	Lane	Name	Age	Team	Seed Time	Finals	Place
Heat 14 Timed Finals... (Event 24 Girls 50 SC Meter Free)							
1		Olivia To	14	Nunawading Swimming Club Inc	29.81	_____	_____
2		Ella Irvine	15	Nunawading Swimming Club Inc	29.69	_____	_____
3		Amelie Theophanous-Maddison	14	Nunawading Swimming Club Inc	29.19	_____	_____
4		Abigail Bracken	16	Firbank Aquastars	28.64	_____	_____
5		Lucy Doyle	14	Nunawading Swimming Club Inc	29.10	_____	_____
6		Jeongmin Abrielle Won	14	Nunawading Swimming Club Inc	29.40	_____	_____
7		Amelie Crellin	16	Nunawading Swimming Club Inc	29.73	_____	_____
8		Madison Brown	14	Nunawading Swimming Club Inc	29.87	_____	_____
Heat 15 of 15 Timed Finals							
1		Mary Steele	13	St Leonard's College Swimming	28.41	_____	_____
2		Karma Fahmy	14	Nunawading Swimming Club Inc	28.08	_____	_____
3		Hayley Jellie	17	Hamilton Olympic Swimming Club	28.00	_____	_____
4		Annie Steele	15	St Leonard's College Swimming	26.43	_____	_____
5		Jamie de Borzatti	13	Nunawading Swimming Club Inc	27.82	_____	_____
6		Celeste Cheng	15	Nunawading Swimming Club Inc	28.07	_____	_____
7		Jiyoo Seo	15	Nunawading Swimming Club Inc	28.14	_____	_____
8		Kayla Sautner	16	Nunawading Swimming Club Inc	28.54	_____	_____
Event 25 Boys 50 SC Meter Free							
Heat	Lane	Name	Age	Team	Seed Time	Finals	Place
Heat 1 of 10 Timed Finals							
1		Louis McIlveney	14	St Leonard's College Swimming	27.75	_____	_____
2		Thomas Costello	15	Ballarat Gold Swimming Club In	26.09	_____	_____
3		Haydn Lowe	16	Blue Lake Y	25.50	_____	_____
4		James Meddings	22	Ballarat Gold Swimming Club In	24.16	_____	_____
5		Lachlan Rundell	15	Camberwell Grammar Aquatic	25.15	_____	_____
6		Oliver McCormack	15	Ballarat Gold Swimming Club In	25.71	_____	_____
7		Austin Bartlett	15	Nunawading Swimming Club Inc	26.57	_____	_____
8		Oliver Hall	14	Nunawading Swimming Club Inc	28.19	_____	_____
Heat 2 of 10 Timed Finals							
1		Maxim Hocking	13	Ballarat Gold Swimming Club In	29.19	_____	_____
2		Sebastian Smith	18	Horsham Swimming Club Inc	29.25L	_____	_____
3		Will Frame	14	Nunawading Swimming Club Inc	28.48	_____	_____
4		Ryan Martin	14	Nunawading Swimming Club Inc	28.24	_____	_____
5		Hantang Wang	12	Nunawading Swimming Club Inc	28.38	_____	_____
6		Kyle Roos	17	Firbank Aquastars	28.57	_____	_____
7		Dylan Kelly	14	Gisborne Thunder Swimming Club	29.08	_____	_____
8		Cade Faulkner	13	Camberwell Grammar Aquatic	29.30	_____	_____
Heat 3 of 10 Timed Finals							
1		Lachlan Griplas	13	St Leonard's College Swimming	31.72L	_____	_____
2		Bill Wang	14	Camberwell Grammar Aquatic	30.80	_____	_____
3		Joel Murdoch	14	Nunawading Swimming Club Inc	30.19	_____	_____
4		Hugo Henderson	14	St Leonard's College Swimming	29.94	_____	_____
5		Hayden Wilson	13	Ballarat Gco Swimming Club Inc	30.08	_____	_____
6		Graidey Masiero	13	Kangaroo Flat	30.55	_____	_____
7		Dichen Huang	14	Ballarat Swimming Club Inc	31.00	_____	_____
8		William Staggard	11	Sandy Bay Swimming Club	31.14	_____	_____
Heat 4 of 10 Timed Finals							
1		Feng Yang Sun	14	Firbank Aquastars	31.99	_____	_____
2		Aiden Tang	13	St Leonard's College Swimming	32.52L	_____	_____
3		Mason Firth	13	Ballarat Gold Swimming Club In	31.75	_____	_____
4		Aaron Skinner	32	Geelong Sharks Swimming Club	31.37	_____	_____
5		Zack Thomas Enrique Jones	13	St Leonard's College Swimming	31.49	_____	_____
6		Marco French	14	Camberwell Grammar Aquatic	31.85	_____	_____
7		Owen Barnes	11	Bendigo East Swimming Club	31.94	_____	_____
8		Lucas Campbell	15	Camberwell Grammar Aquatic	32.10	_____	_____

2024 Ballarat Gold Short Course Meet - 2/06/2024
Meet Program - Afternoon Session

Heat	5	Timed Finals...	(Event	25	Boys 50 SC Meter Free)			
1	Riley O'Callaghan		15	Ballarat Gold Swimming Club In	34.34			
2	Eric Zhou		14	St Leonard's College Swimming	33.60			
3	Jock Liberts		14	Geelong Sharks Swimming Club	32.87			
4	Jesse Pratt		13	Firbank Aquastars	32.76			
5	Jack de Fina-Nash		11	Firbank Aquastars	33.50L			
6	Ethan Bruce		13	Ballarat Gold Swimming Club In	34.14L			
7	Leander Reichenbach		12	Camberwell Grammar Aquatic	34.30			
8	Thomas Bruce		13	Ballarat Gold Swimming Club In	35.08L			
Heat	6 of 10	Timed Finals						
1	Daniel Walter		13	Firbank Aquastars	35.58			
2	Andy Zhou		10	St Leonard's College Swimming	35.26			
3	Jesse Welsh		12	Firbank Aquastars	34.98			
4	George Zheng		10	Yarra Plenty Waves	34.56			
5	Jayden Lim		12	Ballarat Gold Swimming Club In	34.77			
6	Cooper Dodson		14	Horsham Swimming Club Inc	35.01			
7	Raymond Wang		12	Colac Swimming Club	35.27			
8	Henry Garland		12	St Leonard's College Swimming	35.60			
Heat	7 of 10	Timed Finals						
1	Logan Brundell		11	Ballarat Gco Swimming Club Inc	37.24			
2	Sam Hevey		13	Firbank Aquastars	36.40			
3	Kallen Ye		9	Ivanhoe Aqua Power Swimming Cl	35.99			
4	Martin Ma		10	Ballarat Gold Swimming Club In	35.94			
5	Lachlan Henderson		11	St Leonard's College Swimming	35.99			
6	Flynn Dodson		12	Horsham Swimming Club Inc	36.05			
7	Eoin Whelan		10	Camberwell Grammar Aquatic	37.16			
8	Joseph Scruby		9	Ballarat Gold Swimming Club In	37.77			
Heat	8 of 10	Timed Finals						
1	Edward Valentan		11	Ballarat Swimming Club Inc	39.60			
2	Henry Beechey		13	Ballarat Gold Swimming Club In	39.31			
3	Adam Conway		13	Ballarat Gold Swimming Club In	38.87			
4	Joel Thomson		11	Ballarat Swimming Club Inc	38.73			
5	Arlo McHugh		12	Geelong Swimming Club Incorpor	39.65L			
6	Shengmin Han		9	Geelong Swimming Club Incorpor	39.03			
7	Jack Lomax		11	Seymour & District Amateur Swi	39.44			
8	Matthew Rieniets		10	Ballarat Swimming Club Inc	39.77			
Heat	9 of 10	Timed Finals						
1	Ethan Hill		9	Geelong Swimming Club Incorpor	44.41L			
2	James Davenport		10	Bendigo East Swimming Club	42.58			
3	Matthew Swanton		12	Ballarat Gold Swimming Club In	41.70			
4	Alexander Lee		8	Kangaroo Flat	41.69L			
5	Elliot Stott		13	Ballarat Gold Swimming Club In	41.28			
6	Oliver Young		9	Geelong Swimming Club Incorpor	42.21			
7	Lachlan Mifsud		12	Warrnambool Swimming Club	42.86			
8	William Thompson		9	Melton Swimming Club Inc	44.64			
Heat	10 of 10	Timed Finals						
1	Phoenix Aldersley		11	Geelong Swimming Club Incorpor	NTL			
2	Aiden Lin		7	Ivanhoe Aqua Power Swimming Cl	55.27			
3	Jude Harrison		10	Ballarat Gold Swimming Club In	46.01			
4	Cohan Morgan		9	Ballarat Gold Swimming Club In	45.54L			
5	Sonny Finn Shepherd		10	Ballarat Gold Swimming Club In	44.93			
6	Fletcher Stanley		9	Geelong Swimming Club Incorpor	46.32			
7	Sidney Bartlett		14	Firbank Aquastars	NT			
8	Samar Budhiraja		8	Hume City Swimming Club Inc	NTL			

2024 Ballarat Gold Short Course Meet - 2/06/2024
Meet Program - Afternoon Session
Event 26 Mixed 200 SC Meter Breast

Event Lane	Name	Age	Team	Seed Time	Finals	Place
Heat 1 of 3 Timed Finals						
1	Keila Enters	W14	Nunawading Swimming Club Inc	2:59.43	_____	_____
2	Chase Briggs	M16	Horsham Swimming Club Inc	2:43.61	_____	_____
3	William Smith	M17	Firbank Aquastars	2:35.88	_____	_____
4	Harry Heath	M15	Nunawading Swimming Club Inc	2:22.79	_____	_____
5	Tharwin Prarom	M15	Nunawading Swimming Club Inc	2:35.10	_____	_____
6	Andre Talarico	M15	Nunawading Swimming Club Inc	2:39.09	_____	_____
7	Cameron Dole	M56	Ballarat Gco Swimming Club Inc	2:53.68	_____	_____
8	Matilda Young	W13	Ringwood Swimming Club Inc	3:03.64L	_____	_____
Heat 2 of 3 Timed Finals						
1	Amber McCredan	W18	Hamilton Olympic Swimming Club	4:05.67	_____	_____
2	Adela Ren	W9	Ivanhoe Aqua Power Swimming Cl	3:45.25	_____	_____
3	Marley Sutherland	M15	Ballarat Gold Swimming Club In	3:27.82L	_____	_____
4	Charlotte Kelly	W13	Firbank Aquastars	3:13.80	_____	_____
5	Isabel Neeson	W13	Surrey Park Swimming Club Inc	3:22.57	_____	_____
6	Bryce Scott	M12	Ballarat Gold Swimming Club In	3:38.17	_____	_____
7	Martin Ma	M10	Ballarat Gold Swimming Club In	3:54.61L	_____	_____
8	Sebastian Smith	M18	Horsham Swimming Club Inc	NTL	_____	_____
Heat 3 of 3 Timed Finals						
2	Ted Gladman	M9	Ballarat Gold Swimming Club In	NTL	_____	_____
3	William Staggard	M11	Sandy Bay Swimming Club	NT	_____	_____
4	Isabelle Thornborrow	W11	Firbank Aquastars	NTL	_____	_____
5	Lachlan Henderson	M11	St Leonard's College Swimming	NTL	_____	_____
6	Reuben Greeff	M10	Ballarat Swimming Club Inc	NTL	_____	_____

Event 27 Girls 100 SC Meter Fly

Event Lane	Name	Age	Team	Seed Time	Finals	Place
Heat 1 of 4 Timed Finals						
1	Zarah Gilmour	11	Geelong Swimming Club Incorpor	NTL	_____	_____
2	Chenxi Zheng	12	Ballarat Swimming Club Inc	NTL	_____	_____
3	Niamh Napper	14	Surf Coast Swimming Club Inc.	NTL	_____	_____
4	Liwen Niu	11	Geelong Swimming Club Incorpor	1:55.80L	_____	_____
5	Mia Gray	14	Firbank Aquastars	1:58.63	_____	_____
6	Hollie Watson	13	Bendigo East Swimming Club	NTL	_____	_____
7	Xiaohan Chen	12	Ballarat Swimming Club Inc	NTL	_____	_____
Heat 2 of 4 Timed Finals						
1	Nina Sutherland	13	Ballarat Gold Swimming Club In	1:36.34	_____	_____
2	Ella Weber	13	Firbank Aquastars	1:31.46	_____	_____
3	Charlotte McConvill	13	Bendigo Hawks Aquatic	1:27.16	_____	_____
4	Amelia Wilson	12	Ballarat Gco Swimming Club Inc	1:26.53	_____	_____
5	Matilda Biberow	12	Melbourne Swimming Club	1:28.32L	_____	_____
6	Tayla Holt	11	Melbourne Swimming Club	1:31.13L	_____	_____
7	Jade Hayward	12	Kangaroo Flat	1:32.39	_____	_____
8	Neve Harrison	12	Ballarat Gold Swimming Club In	1:43.66	_____	_____
Heat 3 of 4 Timed Finals						
1	Stella McIntosh	11	Bendigo East Swimming Club	1:22.86	_____	_____
2	Macy Lee	16	Geelong Swimming Club Incorpor	1:20.46	_____	_____
3	Claire Mathison	15	Ballarat Gold Swimming Club In	1:17.30	_____	_____
4	Jumanah Fahmy	12	Nunawading Swimming Club Inc	1:16.18	_____	_____
5	Jamie de Borzatti	13	Nunawading Swimming Club Inc	1:16.98	_____	_____
6	Leona Loh-Hermans	13	Nunawading Swimming Club Inc	1:18.60	_____	_____
7	Georgie Vague	14	Geelong Swimming Club Incorpor	1:22.59	_____	_____
8	Emily Jellie	17	Hamilton Olympic Swimming Club	1:25.60	_____	_____

2024 Ballarat Gold Short Course Meet - 2/06/2024
Meet Program - Afternoon Session

Heat	4	Timed Finals...	(Event	27	Girls 100 SC Meter Fly)			
1	Weylen Truong		14	Nunawading Swimming Club Inc	1:15.77	_____	_____	
2	Lucy Doyle		14	Nunawading Swimming Club Inc	1:12.43	_____	_____	
3	Octavia Mahoney		13	St Leonard's College Swimming	1:10.81	_____	_____	
4	Skye Laube		17	Ballarat Gold Swimming Club In	1:06.64	_____	_____	
5	Mary Steele		13	St Leonard's College Swimming	1:12.03L	_____	_____	
6	Zahra Olowoniyi		14	Nunawading Swimming Club Inc	1:12.31	_____	_____	
7	Lily Chan		14	Nunawading Swimming Club Inc	1:13.73	_____	_____	
8	Abigail Bracken		16	Firbank Aquastars	1:16.01	_____	_____	

Event	28	Boys 100 SC Meter Fly						
Lane	Name	Age	Team	Seed Time		Finals	Place	

Heat	1 of 3	Timed Finals						
1	Logan Brundell		11	Ballarat Gco Swimming Club Inc	NTL	_____	_____	
2	George Kitson		12	Geelong Swimming Club Incorpor	1:35.40	_____	_____	
3	Oliver Kallio		14	Ballarat Gold Swimming Club In	1:23.02	_____	_____	
4	Ben Hynam		14	Geelong Sharks Swimming Club	1:18.42L	_____	_____	
5	Andrius Bruozis		14	Geelong Swimming Club Incorpor	1:24.05L	_____	_____	
6	Shengyu Han		12	Geelong Swimming Club Incorpor	1:33.38	_____	_____	
7	Jason Huang		11	Laverton Wyndham Aquatics Inc.	NTL	_____	_____	

Heat	2 of 3	Timed Finals						
1	Aiden Ramos		13	Nunawading Swimming Club Inc	1:11.91	_____	_____	
2	William Lewis		16	Nunawading Swimming Club Inc	1:08.90	_____	_____	
3	Oscar Magalotti		13	Nunawading Swimming Club Inc	1:06.81	_____	_____	
4	Lucas Chan		16	Nunawading Swimming Club Inc	1:05.89	_____	_____	
5	Thomas Neylan		15	Nunawading Swimming Club Inc	1:05.96	_____	_____	
6	Miller Stott		15	Ballarat Gold Swimming Club In	1:08.49	_____	_____	
7	Blake Scott		15	Ballarat Gold Swimming Club In	1:09.69	_____	_____	
8	Ji Xuan Song		14	Nunawading Swimming Club Inc	1:12.13	_____	_____	

Heat	3 of 3	Timed Finals						
1	Lemuel Junarsa		14	Nunawading Swimming Club Inc	1:04.58	_____	_____	
2	Jack Lanyon		17	Ballarat Gold Swimming Club In	1:04.52	_____	_____	
3	William Tan		15	St Leonard's College Swimming	1:01.63	_____	_____	
4	Lewis Gee		15	Nunawading Swimming Club Inc	59.86	_____	_____	
5	Lachlan Rundell		15	Camberwell Grammar Aquatic	1:00.05	_____	_____	
6	Kevin Huang		16	Ballarat Gold Swimming Club In	1:03.62	_____	_____	
7	Bryan Wong		16	Nunawading Swimming Club Inc	1:04.53	_____	_____	
8	Harry Luo		15	Nunawading Swimming Club Inc	1:05.14	_____	_____	

Event	29	Mixed 200 SC Meter Free Relay						
Lane	Team	Relay	Seed Time		Finals	Place		

Heat	1 of 4	Timed Finals						
2	Ballarat Gold Swimming Club In	P	NT	_____	_____			
3	Ballarat Gold Swimming Club In	N	NT	_____	_____			
4	Ballarat Gold Swimming Club In	L	NT	_____	_____			
5	Ballarat Gold Swimming Club In	M	NT	_____	_____			
6	Ballarat Gold Swimming Club In	O	NT	_____	_____			
7	Ballarat Gold Swimming Club In	Q	NT	_____	_____			

Heat	2 of 4	Timed Finals						
1	Ballarat Gold Swimming Club In	J	NT	_____	_____			
2	Ballarat Gold Swimming Club In	H	NT	_____	_____			
3	Nunawading Swimming Club Inc	F	NT	_____	_____			
4	Ballarat Gco Swimming Club Inc	A	NT	_____	_____			
5	Ballarat Gold Swimming Club In	F	NT	_____	_____			
6	Ballarat Gold Swimming Club In	G	NT	_____	_____			
7	Ballarat Gold Swimming Club In	I	NT	_____	_____			
8	Ballarat Gold Swimming Club In	K	NT	_____	_____			

2024 Ballarat Gold Short Course Meet - 2/06/2024
Meet Program - Afternoon Session

Heat	3	Timed Finals...	(Event	29	Mixed 200 SC Meter Free Relay)			
1	Ballarat Gold Swimming Club In			E		NT	_____	_____
2	Nunawading Swimming Club Inc			E		NT	_____	_____
3	Ballarat Gold Swimming Club In			D		NT	_____	_____
4	Ballarat Gold Swimming Club In			C		NT	_____	_____
5	Nunawading Swimming Club Inc			D		NT	_____	_____
6	Firbank Aquastars			D		NT	_____	_____
7	Firbank Aquastars			F		NT	_____	_____
8	Firbank Aquastars			E		NT	_____	_____
Heat	4 of 4	Timed Finals						
1	Nunawading Swimming Club Inc			C		NT	_____	_____
2	Ballarat Gold Swimming Club In			B		NT	_____	_____
3	Ballarat Gold Swimming Club In			A		NT	_____	_____
4	Nunawading Swimming Club Inc			A		NT	_____	_____
5	Firbank Aquastars			A		NT	_____	_____
6	Firbank Aquastars			B		NT	_____	_____
7	Nunawading Swimming Club Inc			B		NT	_____	_____
8	Firbank Aquastars			C		NT	_____	_____



QUALIFYING TIMES

Qualifying Period: Times must have been achieved from 12th August 2023 until entry closing date.

Unconverted Long Course times accepted.

Men

Distance	Open	18 Years & Over	16-17 Years	14-15 Years	12-13 Years	11 Years & Under
FREESTYLE						
50m		27.73				37.75
100m		1:00.29	1:00.84	1:04.68	1:11.26	1:24.08
200m		2:12.06	2:13.26	2:21.67	2:36.07	
400m	4:43.23					
BACKSTROKE						
50m		36.39				44.76
100m			1:11.26	1:15.63	1:25.01	
200m	2:32.97					
BREASTSTROKE						
50m		39.86				51.03
100m			1:19.81	1:24.72	1:35.22	
200m	2:53.11					
BUTTERFLY						
50m		33.67				43.78
100m			1:11.65	1:16.05	1:25.48	
200m	2:32.34					
INDIVIDUAL MEDLEY						
100m		1:11.24	1:12.52	1:16.97	1:26.51	1:34.30
200m	2:34.79					
400m	5:23.73					

RELAY				
MIXED		13 & Under	14 & Over	Open Para & Able Bodied
4x50m	Freestyle Relay	2:15.00	2:00.00	No qualifying time
4x50m	Medley Relay	2:35.00	2:20.00	No qualifying time



QUALIFYING TIMES

Qualifying Period: Times must have been achieved from 12th August 2023 until entry closing date.

Unconverted Long Course times accepted.

Women

Distance	Open	18 Years & Over	16-17 Years	14-15 Years	12-13 Years	11 Years & Under
FREESTYLE						
50m		31.31				36.87
100m		1:07.39	1:08.01	1:12.30	1:19.04	1:23.78
200m		2:25.70	2:27.03	2:36.30	2:50.87	
400m	5:09.29					
BACKSTROKE						
50m		40.50				44.14
100m			1:19.10	1:21.18	1:23.96	
200m	2:48.45					
BREASTSTROKE						
50m		45.06				50.47
100m			1:29.51	1:31.86	1:35.00	
200m	3:10.25					
BUTTERFLY						
50m		37.66				43.31
100m			1:20.72	1:22.84	1:25.68	
200m	2:49.54					
INDIVIDUAL MEDLEY						
100m		1:20.17	1:21.60	1:23.75	1:26.61	1:31.81
200m	2:45.09					
400m	5:50.15					

RELAY				
MIXED		13 & Under	14 & Over	Open Para & Able Bodied
4x50m	Freestyle Relay	2:15.00	2:00.00	No qualifying time
4x50m	Medley Relay	2:35.00	2:20.00	No qualifying time

2024 VICTORIAN METROPOLITAN SHORT COURSE CHAMPIONSHIPS

27 – 28 JULY 2024

QUALIFYING TIMES



Qualifying Period: Times must have been achieved from 29th July 2023 until entry closing date.

Unconverted Long Course times accepted.

Men

Distance	17 Years & Over	15-16 Years	13-14 Years	12 Years	11/Under
FREESTYLE					
50m	26.66	28.04	29.39	34.94	35.85
100m	58.86	1:01.00	1:05.54	1:15.14	1:20.46
200m	2:06.54	2:12.64	2:24.88	2:49.41	
400m	4:37.89	4:38.95	5:04.08	5:25.89	
800m	9:41.39	10:13.10	10:44.82	11:21.81	
1500m	18:35.78	19:36.64	20:37.50	21:48.50	
BACKSTROKE					
50m					43.87
100m	1:08.39	1:10.73	1:16.68	1:23.41	1:31.75
200m	2:30.08	2:35.44	2:50.19	3:02.25	
BREASTSTROKE					
50m					48.84
100m	1:16.94	1:18.93	1:25.78	1:33.42	1:42.76
200m	2:49.84	2:55.91	3:12.59	3:26.23	
BUTTERFLY					
50m					40.59
100m	1:03.42	1:06.44	1:13.00	1:26.97	1:32.93
200m	2:29.47	2:34.81	2:49.49	3:01.50	
INDIVIDUAL MEDLEY					
100m	1:08.75	1:10.88	1:18.07	1:24.88	1:33.37
200m	2:28.64	2:33.31	2:47.18	3:01.39	3:07.96
400m	5:26.88	5:38.55	6:10.66	6:36.92	

RELAY			
	12/Under	13/Over	Open Para & Able Bodied
4 x 50m Freestyle Relay	2:15.00	2:00.00	No qualifying time
4 x 50m Medley Relay	2:35.00	2:20.00	No qualifying time

2024 VICTORIAN METROPOLITAN SHORT COURSE CHAMPIONSHIPS

27 – 28 JULY 2024

QUALIFYING TIMES



Qualifying Period: Times must have been achieved from 29th July 2023 until entry closing date.

Unconverted Long Course times accepted.

Women

Distance	17 Years & Over	15-16 Years	13-14 Years	12 Years	11/Under
FREESTYLE					
50m	30.72	30.96	31.57	35.21	36.88
100m	1:05.38	1:07.72	1:11.30	1:14.95	1:22.51
200m	2:22.95	2:24.18	2:28.88	2:47.44	
400m	5:03.46	5:05.14	5:15.31	5:55.87	
800m	10:24.92	10:33.03	11:01.55	12:12.86	
1500m	20:02.72	21:08.32	22:13.93	23:30.46	
BACKSTROKE					
50m					43.55
100m	1:15.92	1:17.39	1:19.70	1:22.37	1:29.79
200m	2:40.27	2:42.14	2:50.18	2:58.55	
BREASTSTROKE					
50m					49.90
100m	1:26.28	1:27.40	1:29.12	1:33.21	1:39.73
200m	3:03.48	3:07.98	3:13.93	3:21.66	
BUTTERFLY					
50m					41.70
100m	1:13.64	1:16.27	1:18.24	1:25.27	1:28.97
200m	2:46.35	2:52.29	2:56.74	3:00.71	
INDIVIDUAL MEDLEY					
100m	1:16.51	1:19.13	1:21.35	1:24.98	1:28.38
200m	2:40.20	2:44.09	2:52.49	2:59.22	3:03.55
400m	5:53.55	6:06.18	6:15.65	6:21.96	

RELAY			
	12/Under	13/Over	Open Para & Able Bodied
4 x 50m Freestyle Relay	2:15.00	2:00.00	No qualifying time
4 x 50m Medley Relay	2:35.00	2:20.00	No qualifying time

2024 VICTORIAN AGE SHORT COURSE CHAMPIONSHIPS



6 - 8 SEPTEMBER 2024

QUALIFYING TIMES

Qualifying Period: Times must have been achieved from 19th August 2023 until entry closing date.

Unconverted Long Course times accepted.

BOYS

Distance	17-18 Years	16 Years	15 Years	14 Years	13 Years	12 Years
FREESTYLE						
50m	26.16	26.40	27.00	27.58	28.77	34.02
100m	56.88	57.40	59.38	1:00.30	1:03.60	1:12.32
200m	2:04.59	2:05.72	2:10.64	2:13.65	2:19.31	2:41.41
400m	4:25.00	4:27.78	4:35.41	4:46.63	4:56.35	5:13.35
800m	9:07.03	9:13.11	9:36.49	9:45.69	10:16.58	10:55.59
1500m	17:30.00	17:43.14	18:32.27	18:57.02	19:11.27	20:58.18
BACKSTROKE						
50m						
100m	1:06.05	1:07.23	1:08.41	1:11.35	1:14.89	1:20.20
200m	2:24.31	2:26.89	2:29.47	2:35.91	2:43.64	2:55.24
BREASTSTROKE						
50m						
100m	1:13.98	1:15.30	1:16.62	1:19.92	1:23.88	1:29.83
200m	2:43.31	2:46.22	2:49.14	2:56.43	3:05.18	3:18.30
BUTTERFLY						
50m						
100m	1:02.85	1:03.98	1:05.10	1:07.91	1:11.27	1:16.32
200m	2:23.72	2:26.28	2:28.85	2:35.27	2:42.97	2:54.52
INDIVIDUAL MEDLEY						
100m	1:07.08	1:08.00	1:08.97	1:12.25	1:15.21	1:21.55
200m	2:26.03	2:28.63	2:31.24	2:37.76	2:45.58	2:57.32
400m	5:00.00	5:11.92	5:14.32	5:39.56	5:56.40	6:21.66

RELAYS	12-14 Years	12-16 Years	12-18 Years	12-18 Years Para & Able Bodied
4 x 50m Freestyle	2:12.00	2:03.00	1:53.00	No qualifying time
4 x 50m Medley	2:37.00	2:27.00	2:20.00	No qualifying time
4 x 50m Freestyle MIXED	2:15.00	2:10.00	2:05.00	

2024 VICTORIAN AGE SHORT COURSE CHAMPIONSHIPS



6 - 8 SEPTEMBER 2024

QUALIFYING TIMES

Qualifying Period: Times must have been achieved from 19th August 2023 until entry closing date.

Unconverted Long Course times accepted.

GIRLS

Distance	17-18 Years	16 Years	15 Years	14 Years	13 Years	12 Years
FREESTYLE						
50m	29.53	29.80	30.00	30.70	31.50	33.00
100m	1:03.58	1:04.16	1:05.86	1:06.88	1:08.91	1:11.95
200m	2:17.46	2:18.71	2:24.00	2:26.18	2:32.45	2:37.33
400m	4:47.27	4:51.47	4:57.52	5:00.60	5:10.87	5:34.90
800m	9:55.75	10:01.00	10:07.22	10:30.59	10:53.45	11:34.58
1500m	18:58.54	19:00.54	19:10.54	20:20.57	20:59.62	22:36.22
BACKSTROKE						
50m						
100m	1:12.32	1:13.00	1:13.75	1:14.97	1:17.90	1:19.21
200m	2:38.92	2:41.75	2:44.59	2:46.01	2:48.85	2:51.69
BREASTSTROKE						
50m						
100m	1:22.96	1:24.44	1:25.92	1:26.66	1:28.14	1:29.62
200m	2:59.48	3:02.68	3:05.89	3:07.49	3:10.70	3:13.90
BUTTERFLY						
50m						
100m	1:10.81	1:12.07	1:13.34	1:13.97	1:15.23	1:16.50
200m	2:39.95	2:42.80	2:45.66	2:47.09	2:49.94	2:52.80
INDIVIDUAL MEDLEY						
100m	1:15.01	1:16.31	1:17.04	1:18.23	1:19.36	1:20.35
200m	2:39.28	2:42.15	2:43.01	2:44.44	2:50.30	2:53.16
400m	5:39.95	5:46.02	5:52.09	5:55.13	6:01.20	6:07.27

RELAYS	12-14 Years	12-16 Years	12-18 Years	12-18 Years Para & Able Bodied
4 x 50m Freestyle	2:10.00	2:06.00	2:03.00	No qualifying time
4 x 50m Medley	2:37.00	2:27.00	2:20.00	No qualifying time
4 x 50m Freestyle MIXED	2:15.00	2:10.00	2:05.00	

2024 VICTORIAN OPEN SHORT COURSE CHAMPIONSHIPS

17 – 18 AUGUST 2024

QUALIFYING TIMES



Qualifying Period: Times must have been achieved from 19th August 2023 until entry closing date.

Unconverted Long Course times accepted.

MEN	
Distance	OPEN
FREESTYLE	
50m	25.68
100m	55.85
200m	2:02.32
400m	4:22.34
800m	8:58.32
1500m	17:12.37
BACKSTROKE	
50m	30.33
100m	1:04.87
200m	2:21.74
BREASTSTROKE	
50m	33.22
100m	1:12.66
200m	2:40.39
BUTTERFLY	
50m	28.06
100m	1:01.73
200m	2:21.15
INDIVIDUAL MEDLEY	
100m	1:06.01
200m	2:23.42
400m	4:47.52

WOMEN	
Distance	OPEN
FREESTYLE	
50m	29.00
100m	1:02.42
200m	2:14.96
400m	4:46.48
800m	9:49.96
1500m	18:55.44
BACKSTROKE	
50m	33.75
100m	1:12.01
200m	2:36.08
BREASTSTROKE	
50m	37.55
100m	1:21.48
200m	2:56.28
BUTTERFLY	
50m	31.38
100m	1:09.54
200m	2:37.09
INDIVIDUAL MEDLEY	
100m	1:14.28
200m	2:37.42
400m	5:26.40

RELAYS	Men	Women	Mixed	Para & Able Bodied
4 x 50m Freestyle			2:02.50	No qualifying time
4 x 100m Freestyle	4:01.50	4:26.80		
4 x 50m Medley			2:13.00	No qualifying time
4 x 100m Medley	4:26.80	5:04.80		

Swimming Victoria - Short Course State Championship Qualifying Times 2024-25

Women Open

	S19	S18	S17	S16	S15	S14	S13	S12	S11	S10	S9	S8	S7	S6	S5	S4	S3	S2	S1
50m Free	40.74	45.7	55.35	44.3	40.97	43.73	42.97	42.13	47.84	43.21	44.76	48.27	51.07	58.52	1.03.94	1.09.66	1.20.85	1.45.43	1.41.91
100m Free	1.29.28	1.44.87	2.01.29	1.40.08	1.29.05	1.31.85	1.31.82	1.33.02	1.43.51	1.34.45	1.38.34	1.44.13	1.48.83	2.11.19	2.19.55	2.31.76	2.51.49	4.25.52	3.43.65
200m Free	3.16.19	3.47.75	4.26.55	4.30.65	3.22.50	3.16.38	3.24.03	3.26.63	3.49.63	3.18.55	3.37.59	3.42.51	3.57.17	4.33.53	4.46.78	5.28.33	5.54.02	9.20.5	9.29.08
50m Back	45.48	58.1	1.01.79	53.92	46.62	49.80	48.15	51.75	57.83	48.4	51.34	56.97	57.21	1.07.66	1.12.91	1.30.46	1.26.51	1.25.85	1.27.19
100m Back	1.37.52	2.02.38	2.12.49	1.57.76	1.39.31	1.44.26	1.40.94	1.44.42	2.02.58	1.47.21	1.46.94	2.01.59	1.59.01	2.22.82	2.36.92	3.04.63	3.01.77	4.24.56	4.24.21
50m Breast	50.74	1.01.42	1.08.94	56.23	51.81	57.51	55.94	53.34	1.01.15		52.83	57.23	1.05.64	1.15.29	1.14.44	1.22.51	1.40.32	2.16.94	2.36.49
100m Breast	1.50.79	2.18.52	2.30.52	2.06.29	1.53.59	1.58.56	1.59.72	1.55.25	2.14.98		1.52.26	1.59.91	2.17.87	2.42.28	2.42.96	2.58.33	3.44.9	5.18.65	5.56.78
50m Fly	47.27	52.55	58.85	48.77	45.86	49.83	46.72	46.89	52.24	45.11	45.56	53.32	54.99	1.02.29	1.27.38	1.28.58	2.07.53	1.50.42	95.57
100m Fly	1.37.02	2.01.04	2.11.81	1.49.02	1.41.99	1.44.42	1.41.47	1.43.34	2.01.86	1.40.21	1.46.69	1.54.67	2.08.45	2.27.64	3.06.93				
100m IM	1.40.40	2.07.60	2.16.40	1.57.26	1.44.01	1.53.36	1.47.75	1.49.26	2.04.96	1.43.20	1.54.02	1.54.72	2.11.87	2.28.79	2.41.37	3.19.14	3.52.63	5.49.43	3.52.63
150m IM																4.43.39	6.22.78	9.25.15	13.44.95
200m IM	3.36.5	4.30.37	4.54.14	4.25.72	3.50.28	3.47.14	3.52.65	3.57.49	4.15.64	3.44.54	3.55.78	4.07.36	4.34.73	5.12.79	5.46.00	8.25.62	8.21.4		

Men Open

	S19	S18	S17	S16	S15	S14	S13	S12	S11	S10	S9	S8	S7	S6	S5	S4	S3	S2	S1
50m Free	35.82	40.67	48.66	38.93	36.7	39.03	37.11	37.88	43.48	35.62	38.7	41.42	43.3	50.67	53.88	1.04.12	1.25.05	1.53.66	2.25.28
100m Free	1.19.66	1.30.77	1.48.23	1.25.19	1.20.45	1.21.4	1.22.69	1.22.53	1.36.28	1.17.31	1.23.77	1.30.82	1.35.47	1.49.32	1.55.49	2.21.89	2.55.84	4.40.01	7.28.55
200m Free	2.56.54	3.20.33	3.59.85	3.19.68	2.53.88	2.58.57	3.04.08	3.15.69	3.36.09	2.59.11	3.03.77	3.20.16	3.37.38	3.54.18	4.16.24	5.06.22	6.45.14	8.57.76	9.23.15
50m Back	39.48	48.52	53.63	44.62	40.24	45.57	42.05	42.13	53.53	42.81	43.88	48.69	53.54	1.01.18	59.95	1.14.18	1.22.92	2.04.44	2.20.76
100m Back	1.25.86	1.42.14	1.56.66	1.53.26	1.27.72	1.33.01	1.30.34	1.30.83	1.55.67	1.30.94	1.31.96	1.40.29	1.47.93	2.07.43	2.06.71	3.07.34	3.01.19	4.16.96	4.56.11
50m Breast	44.86	52.00	1.00.95	46.95	43.99	47.19	47.91	48.64	54.99		46.18	49.83	54.69	1.04.38	1.11.55	1.15.55	1.22.51	1.54.26	3.01.30
100m Breast	1.38.32	1.55.84	2.13.58	1.52.94	1.35.37	1.37.26	1.35.66	1.47.51	1.59.56		1.40.94	1.48.02	1.58.39	2.18.94	2.31.54	2.36.45	3.03.89	4.20.87	6.48.50
50m Fly	38.64	44.01	52.5	42.7	39.88	43.15	39.05	39.76	48.65	40.49	42.24	43.64	50.32	53.66	58.17	1.13.75	1.36.05	2.31.32	3.42.35
100m Fly	1.24.89	1.40.45	1.55.33	1.37.49	1.27.08	1.27.69	1.28.58	1.32.53	1.46.39	1.26.18	1.32.55	1.35.1	1.55.28	2.03.39	2.56.01				
100m IM	1.27.55	1.46.51	1.58.95	1.46.20	1.28.91	1.40.29	1.33.31	1.34.34	1.50.13	1.31.56	1.33.77	1.42.64	1.53.21	2.07.68	2.15.07	2.43.7	3.46.95	9.50.99	9.50.99
150m IM																4.24.36	4.59.43	8.29.93	11.03.36
200m IM	3.14.77	3.47.63	4.24.62	3.53.63	3.08.33	3.25.54	3.22.30	3.27.36	4.06.14	3.16.92	3.25.87	3.37.73	4.01.95	4.32.35	4.43.75	6.02.63	7.52.4		

2024 AUSTRALIAN SHORT COURSE CHAMPIONSHIPS
SA AQUATIC & LEISURE CENTRE, SA
26-29 SEPTEMBER, 2024
QUALIFYING TIMES

MEN	FREESTYLE	WOMEN
23.78	50m Freestyle	26.85
51.71	100m Freestyle	57.80
1:53.26	200m Freestyle	2:04.96
4:02.91	400m Freestyle	4:25.26
8:28.21	800m Freestyle	9:06.26
16:15.33	1500m Freestyle	17:31.33
BACKSTROKE		
27.57	50m Backstroke	30.68
58.97	100m Backstroke	1:05.46
2:08.85	200m Backstroke	2:21.89
BREASTSTROKE		
30.20	50m Breaststroke	34.14
1:06.05	100m Breaststroke	1:14.07
2:25.81	200m Breaststroke	2:40.25
BUTTERFLY		
25.51	50m Butterfly	28.53
56.12	100m Butterfly	1:03.22
2:08.32	200m Butterfly	2:22.81
INDIVIDUAL MEDLEY		
1:00.01	100m Individual Medley	1:07.56
2:10.38	200m Individual Medley	2:23.11
4:40.63	400m Individual Medley	5:03.53
RELAYS		
3:42.00	4 x 100m Freestyle	4:00.00
8:00.00	4 x 200m Freestyle	8:40.00
4:04.00	4 x 100m Medley	4:28.00
MIXED RELAYS		
	Mixed 4 x 50m Freestyle Relay	1:42.00
	Mixed 4x50m Medley Relay	2:00.00

Qualifying time must be achieved since 1st January, 2023.
 Long course times, unconverted, can only be used where a short course time has not been achieved.
 Minimum age for swimmers is 13 years for girls and 14 years for boys, as at 26th September, 2024.
 Entries close 11:59pm AEST Tuesday 10th September, 2024 - times achieved after the closing date will not be accepted under any circumstances.

2024 Australian Short Course Championships
 26-29 September, 2024
 MC Qualifying Times

WOMEN	S19	S18	S17	S16	S15	S14	S13	S12	S11	S10	S9	S8	S7	S6	S5	S4	S3	S2	S1
50m FR	33.27	36.58	33.27	33.27	33.27	33.27	33.78	33.63	37.63	35.29	36.81	38.86	40.99	42.63	51.01	53.81	1:09.19	1:27.90	1:37.03
100m FR	1:15.75	1:23.33	1:15.75	1:15.75	1:15.75	1:15.75	1:07.02	1:07.49	1:15.18	1:09.03	1:12.88	1:16.17	1:28.06	1:33.18	1:49.92	1:57.53	2:09.37	3:08.49	3:35.55
200m FR	2:44.61	3:01.07	2:44.61	2:44.61	2:44.61	2:44.61	2:45.33	2:41.65	2:57.42	2:42.53	2:56.79	2:59.22	3:14.36	3:15.63	3:53.63	4:11.53	4:52.78		
400m FR	5:28.70	6:01.57	5:28.70	5:28.70	5:28.70	5:28.70	5:20.60	5:19.48	6:02.77	5:24.97	5:41.93	5:52.03	6:08.60	6:26.87					
50m BK	36.80	40.48	36.80	36.80	36.80	36.80	42.30	42.61	46.91	41.80	44.37	48.27	51.12	54.07	1:04.26	1:12.18	1:18.82	1:31.80	1:40.76
100m BK	1:24.28	1:32.71	1:24.28	1:24.28	1:24.28	1:24.28	1:21.96	1:22.77	1:34.74	1:23.36	1:29.15	1:35.97	1:40.26	1:44.72	2:08.62	2:20.35	2:46.05	2:55.10	3:20.65
50m BST	40.13	44.14	40.13	40.13	40.13	40.13	48.61	45.59	49.98		46.37	48.98	58.42	57.35	1:04.26	1:12.28	1:18.82	1:31.80	2:29.09
100m BST	1:40.94	1:51.03	1:40.94	1:40.94	1:40.94	1:40.94	1:38.12	1:36.39	1:50.23		1:41.17	1:43.88	1:56.98	2:03.28	2:23.46	2:31.80	3:30.50	4:02.62	
50m FLY	36.95	40.65	36.95	36.95	36.95	36.95	38.92	38.35	44.19	39.13	40.31	42.89	45.66	47.65	1:02.42	1:09.43	1:24.00		
100m FLY	1:23.30	1:31.63	1:23.30	1:23.30	1:23.30	1:23.30	1:17.46	1:19.19	1:34.22	1:20.04	1:22.65	1:24.89	1:36.20	1:42.39	2:32.17				
150m IM																4:18.86	4:45.29		
200m IM	2:58.38	3:16.22	2:58.38	2:58.38	2:58.38	2:58.38	2:55.32	2:57.13	3:19.47	2:57.42	3:06.32	3:15.94	3:32.31	3:37.05	4:21.36				

MEN	S19	S18	S17	S16	S15	S14	S13	S12	S11	S10	S9	S8	S7	S6	S5	S4	S3	S2	S1
50m FR	29.54	32.49	29.54	29.54	29.54	29.54	29.28	29.15	31.92	29.95	31.78	33.00	34.84	36.57	43.18	50.16	58.22	1:19.04	1:29.79
100m FR	1:06.05	1:12.66	1:06.05	1:06.05	1:06.05	1:06.05	1:03.39	1:03.67	1:10.91	1:05.12	1:08.76	1:11.84	1:16.40	1:21.21	1:34.82	1:49.15	2:09.90	2:54.33	3:06.92
200m FR	2:21.30	2:35.43	2:21.30	2:21.30	2:21.30	2:21.30	2:21.98	2:30.59	2:41.96	2:24.70	2:33.07	2:41.51	2:53.41	3:03.63	3:30.40	4:00.19	4:28.34		
400m FR	5:06.67	5:37.34	5:06.67	5:06.67	5:06.67	5:06.67	4:47.97	4:54.11	5:30.71	4:50.91	5:02.87	5:19.98	5:42.18	6:05.43					
50m BK	34.67	38.13	34.67	34.67	34.67	34.67	35.07	36.43	40.56	36.54	39.28	40.56	44.30	48.09	55.08	1:03.29	1:08.93	1:24.06	1:39.30
100m BK	1:16.38	1:23.75	1:16.38	1:16.38	1:16.38	1:16.38	1:10.20	1:10.55	1:21.16	1:14.32	1:17.67	1:22.60	1:26.48	1:32.30	1:58.51	2:13.39	2:17.00	2:33.36	3:03.74
50m BST	36.80	40.48	36.80	36.80	36.80	36.80	38.52	39.27	42.33		40.13	41.42	46.07	45.85	58.71	59.58	1:06.01	1:13.91	2:03.24
100m BST	1:26.99	1:35.69	1:26.99	1:26.99	1:26.99	1:26.99	1:23.81	1:24.60	1:34.71		1:26.37	1:30.81	1:40.42	1:43.52	2:09.02	2:12.06	2:34.78	3:07.18	
50m FLY	31.78	34.96	31.78	31.78	31.78	31.78	32.87	31.97	33.62	32.86	34.68	36.25	39.13	39.80	49.23	55.41	1:13.71		
100m FLY	1:09.58	1:16.54	1:09.58	1:09.58	1:09.58	1:09.58	1:05.79	1:06.39	1:12.54	1:07.84	1:10.99	1:11.65	1:28.63	1:26.30	1:36.16				
150m IM																3:27.27	3:59.93		
200m IM	2:38.01	2:53.81	2:38.01	2:38.01	2:38.01	2:38.01	2:33.27	2:32.56	2:49.71	2:35.32	2:43.13	2:50.93	3:03.83	3:14.36	4:01.12				

Qualifying time must be achieved since 1st January 2023.
 Long course times, unconverted, can only be used where a short course has not been achieved.
 Entries close 11:59PM AEST Tuesday 10th September, 2024.
 Please ensure you have qualified for your events before processing entries. Refunds will not be processed for ineligible entries.

Thank You.

**We hope that you enjoyed
swimming with us.**

**Looking forward to seeing
you again at our
'Last Chance' SC Country
Qualifier Meet on
Sunday 28th July 2024**